

The FOBA COMBITUBE® System. Simply practical.

FOBA®
STUDIO-TECHNOLOGY

Proven in tough use by the world's best professionals, FOBA COMBITUBE® System is an extremely versatile tool for you.

The FOBA COMBITUBE® System was introduced in 1959 and has since proven itself enormously successful in practical use by thousands of photographers around the world. The infinite variety of configurations that can be assembled with the FOBA COMBITUBE® System make it the most useful accessory kit for the professional studio.

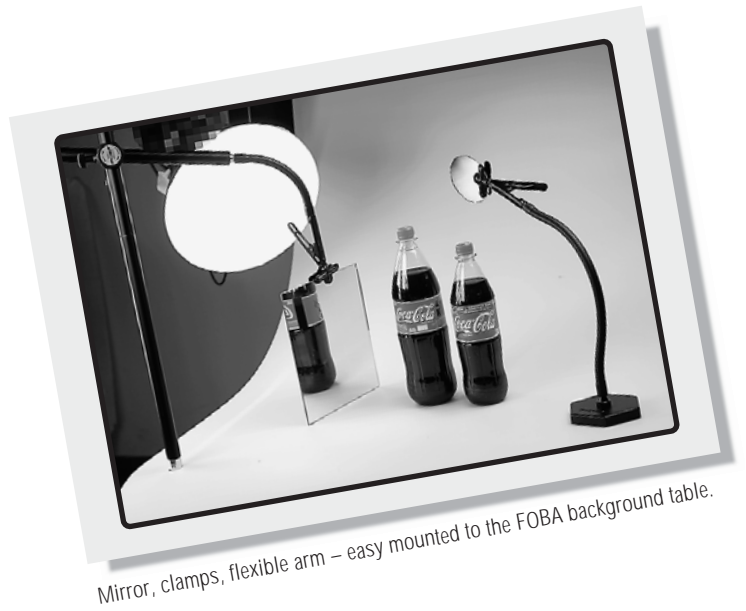
Designed for durability

It provides a quick way to set up a second level for a product shot, to support a fill reflector, or to suspend parts of a subject. The FOBA COMBITUBE® System is truly amazing because of its clear logic, its simplicity and its complete ease of setup without any tools or accessories. The more you examine the exceedingly well thought-out components, the more obviously versatile and indispensable the FOBA COMBITUBE® System becomes for daily studio work.

1001 Possibilities of application

The basic ingredient is a black non-reflective aluminum tube, 25 mm (approx. 1 inch) in diameter, available in 6, 20, 40, 80 and 160 cm (4.8", 8", 16", 32", 64") lengths. Each FOBA COMBITUBE® System is equipped with tapered, threaded steel couplers at both ends, ensuring absolutely solid connections and maximum rigidity that allow any desired length to be assembled. Just six basic components permit an infinite number of combinations at any angle, on a single plane or on multiple planes. COMBITUBES are also available in nickel-plated steel, silver-coloured.

The FOBA COMBITUBE® System, simple practical.



Mirror, clamps, flexible arm – easy mounted to the FOBA background table.



The FOBA COMBITUBE – the system also for larger outfits.



For backgrounds or for table clamps – with the FOBA COMBITUBE® System you discover any applications.



The three kits are supplied in sturdy cases with firm compartments for convenient and safe transportation.

It is amazing how many things you can do with just a few pieces of the FOBA COMBITUBE® System.

The heart of the system is the FOBA COMBITUBE. It can be extended at both ends by screw cone connection (CONRO AS).

Unmatched versatility: The FOBA articulated joint holds COMBITUBE together at any angle (COGEA).

Ultra-useful: The universal FOBA COMBITUBE clip for holding carton, paper, textiles, etc. – quick and reliable (COKLO).

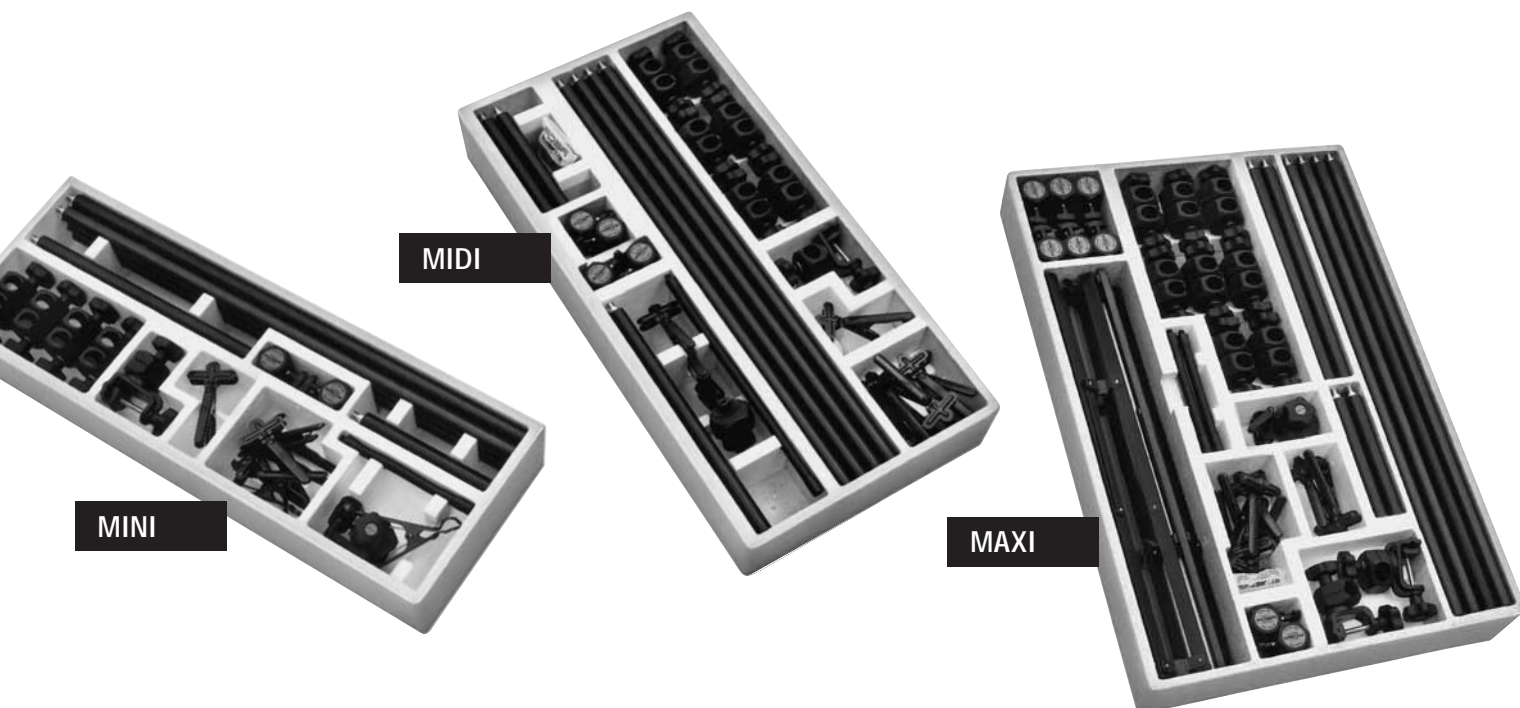
Unbeatable design: The flexible mounting arm (COFLO) and tapped FOBA COMBITUBE clip (COKLE) hold small objects in any desired position.

More practical than ever: The FOBA hinged connector clamp lets you add to existing structures without dismantling (COTRI).

Unequaled stability: The FOBA right-angle connector clamp for attaching another FOBA COMBITUBE at 90° (CODEA).

Unsurpassed convenience: The FOBA cross-connector clamp for offset FOBA COMBITUBE jointing (CODIO).

Three convenient sets make it easy to get started with components selected by pros for the pro.



FOBA COMBITUBE® System Kit MINI (CAMIN)

The smallest of the FOBA COMBITUBE® System Kit weighs only 10 kg or 22 lb, and it is intended to satisfy the needs of regular product photography and to provide very handy accessories for FOBA photography stages. It includes basic system components that are very useful for suspending small objects, or for supporting backdrops or fill-in reflectors for small product photography. It includes the following pieces:

- 6 CONRO AS FOBA COMBITUBE 80 cm in aluminum, black
- 4 COKRO AS FOBA COMBITUBE 40 cm in aluminum, black
- 2 COARO AS FOBA COMBITUBE 20 cm in aluminum, black
- 4 COGEA Adjustable universal clamp
- 2 CODEA Right-angle connector clamp
- 1 COGAE Universal table clamp
- 1 COFLO Flexible mounting arm, 20 cm
- 1 COKLE FOBA COMBITUBE clip, tapped 3/8"
- 1 COKLI Universal joint with clamp
- 1 COKLO 5 Set of 5 FOBA COMBITUBE clamps

FOBA COMBITUBE® System Kit MIDI (CAMID)

Perfect for daily use in the photography of objects. The components in the FOBA COMBITUBE® System Kit MIDI are just right for simple studio set-ups with one or two levels and with appropriate backdrop suspension. Weighing only 15 kg or 33 lb, it is also very useful for outdoor photography. It includes the following pieces:

- 9 CONRO AS FOBA COMBITUBE 80 cm in aluminum, black
- 4 COKRO AS FOBA COMBITUBE 40 cm in aluminum, black
- 4 COARO AS FOBA COMBITUBE 20 cm in aluminum, black
- 6 COGEA Adjustable universal clamp
- 2 CODEA Right-angle connector clamp
- 2 CODIO Cross-connector clamp
- 1 COGAE Universal table clamp
- 1 COFLU Flexible mounting arm, 40 cm
- 1 COKLE FOBA COMBITUBE clip, tapped 3/8"
- 1 COKLI Universal joint with clamp
- 1 COKLO 5 Set of 5 FOBA COMBITUBE clamps
- 4 COGUO Rubber foot

FOBA COMBITUBE® System Kit MAXI (CAMAX)

The FOBA COMBITUBE® System Kit MAXI is as much a complete basic outfit for a large studio as it is a very practical supplement for existing FOBA studio systems. Specialized accessories can be used for assembling complex set-ups. Even though it is the largest of the three kits, its components are ingeniously stored in a compact case that weighs only 21 kg or 46 lb. It includes the following pieces:

- 16 CONRO AS FOBA COMBITUBE 80 cm in aluminum, black
- 6 COKRO AS FOBA COMBITUBE 40 cm in aluminum, black
- 4 COARO AS FOBA COMBITUBE 20 cm in aluminum, black
- 8 COGEA Adjustable universal clamp
- 6 CODEA Right-angle connector clamp
- 2 CODIO Cross-connector clamp
- 2 COGAE Universal table clamp
- 2 COFLO Flexible mounting arm, 20 cm
- 2 COKLE FOBA COMBITUBE clamp, tapped 3/8"
- 1 COKLO 5 Set of 5 FOBA COMBITUBE clamps
- 1 CEKLU Swivelling clamp for FOBA COMBITUBE
- 2 COSNO AS Tripod in aluminum, black
- 4 COGUO Rubber foot

FOBA COMBITUBE® System components:

COKTO AS FOBA COMBITUBE 160 cm long, aluminum, non-reflecting matt black surface. Extendable at both ends to any length by FOBA COMBITUBE screw cone connection. (560 g)

CONRO AS FOBA COMBITUBE 80 cm long, aluminum, non-reflecting matt black surface. Extendable at both ends to any length by FOBA COMBITUBE screw cone connection. (370 g)

COKRO AS FOBA COMBITUBE 40 cm long, aluminum, non-reflecting matt black surface. Extendable at both ends to any length by FOBA COMBITUBE screw cone connection. (275 g)

COARO AS FOBA COMBITUBE 20 cm long, aluminum, non-reflecting matt black surface. Extendable at both ends to any length by FOBA COMBITUBE screw cone connection. (230 g)

COTMA AS COMBITUBE®
Upper part with outer screw cone threaded 3/8"
Lower part with inner screw cone threaded 3/8"
Length without outer cone 60 mm
Weight: 190 g

COTTO AS Double threaded coupling for connecting FOBA COMBITUBE® in opposite directions. (200 g)

COTWE COMBITUBE®
Upper and lower part with inner screw cone threaded 3/8"
Length: 60 mm, Weight: 150 g

CODIO Offset cross-connector clamp for FOBA COMBITUBE. (195 g)

CODEA Right-angle connector clamp for attaching another FOBA COMBITUBE at a higher or lower level. (255g)

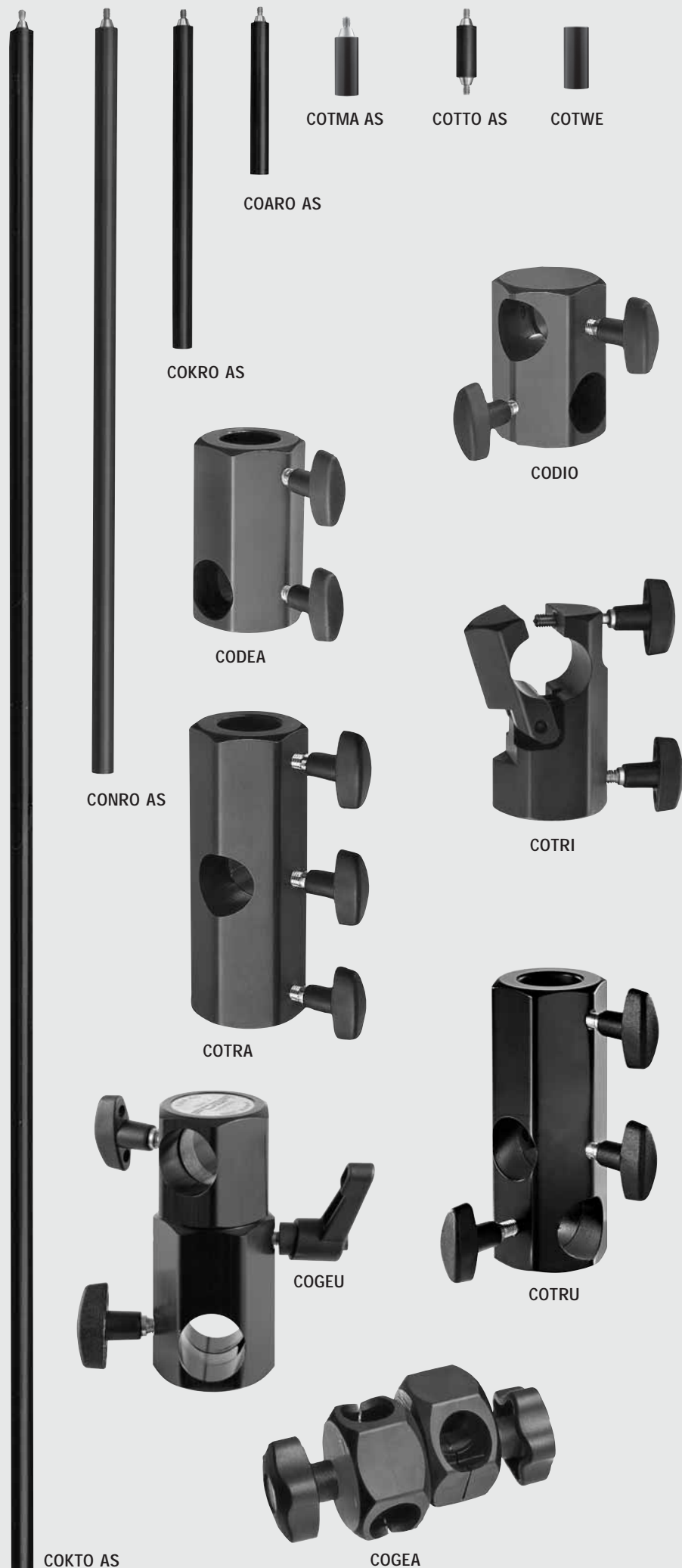
COTRI Hinged connector clamp, for mounting a second FOBA COMBITUBE at right-angles in the same plane. Sleeve opens for trouble-free installation on existing structures. (280 g)

COTRA T-connector clamp for joining two FOBA COMBITUBE. (410 g)

COTRU Triangle connector clamp for joining three FOBA COMBITUBE. (410 g)

COGEU 360° step less adjustable clamp (350 g)

COGEA 360° adjustable universal clamp for FOBA COMBITUBE. Toothed for clamping in 52 different positions. 2 star grips: marked with red dot for main clamp and black dot for fixing angle. (270 g)



CESRU Additional stabilizing weight, 8.7 kg / 26 cm dia. for CESRA baseplate or for small caster base STARE. (8700 g)

CESRA Large baseplate with FOBA COMBITUBE adapter. Diameter 26 cm. Protective felt underlay. Handle included. (10 kg)

CIBAF Round pedestal
 – with COMBITUBE connector
 – three additional M6 threads
 – diameter: 15 cm
 – weight: 2.5 kg (5.5 lbs)

CARRI Wall and ceiling mounting flange for FOBA COMBITUBE, threaded (100 g)

CEGOE Weight (2.0 kg) diam. of the hole 30 mm. (1900 g)

CEGOU Sliding counterbalance weight, diam. of the hole 25 mm, for COMBITUBE (2.0 kg)

CEKLU Swivelling clamp for joining FOBA COMBITUBE at any angle (370 g)

COSNO AS Small Tripod for FOBA COMBITUBE, black anodized aluminum. Height 65 cm. (710 g)

COSTO Big Tripod for FOBA COMBITUBE, solid steel, black finish. Height 95 cm. (3100 g)

STARE Small caster base with the smallest (length 6 cm) COMBITUBE **COTMA CL**.
 For diameter of tube: 25 mm
 Height: 11 cm
 Diameter of the casters: 50 mm
 Weight (COTMA CL included): 4.09 kg (8.8 lbs)

CESRO Big caster base with 3 brakeable casters for FOBA COMBITUBE (25 mm dia.) and FOBA spotlight stand (30 mm dia. tubing). (18 kg)



CESRU



CESRA



CIBAF



CARRI



CEKLU



CEGOE



COSNO AS

COSTO



CEGOU

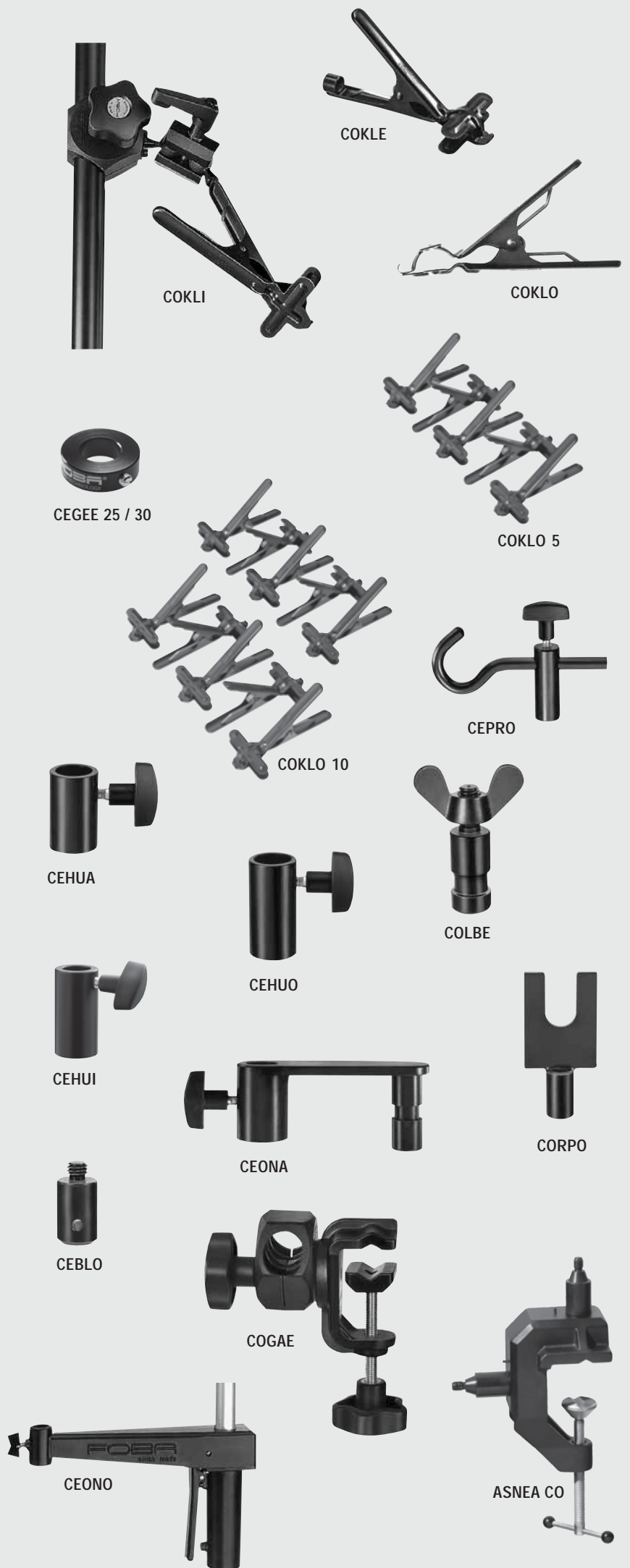


STARE



CESRO

- COKLI** Universal joint with clamp for holding cardboard, styrofoam or reflectors in any position on FOBA COMBITUBE. (410 g)
- CEGEE 25** Safety ring, hole Ø 25 mm
Height: 15 mm, Weight: 100 g
- CEGEE 30** Safety ring, hole Ø 30 mm
Height: 15 mm, Weight: 80 g
- COKLE** FOBA COMBITUBE clamp, tapped 3/8" for attaching to FOBA COMBITUBE connection or flexible mounting arms (COFLO and COFLU). (85 g)
- COKLO** FOBA COMBITUBE clamp for holding cardboard, paper, textile etc. With hanging hook. (80 g)
- COKLO 5** Set of 5 FOBA COMBITUBE clamps. (480 g)
- COKLO 10** Set of 10 FOBA COMBITUBE clamps. (850 g)
- CEPRO** Insert adapter with adjustable and removable hook, fits into CEHUA, CEHUO, CEONA and CEONO exchangeable sleeves. (175 g)
- CEHUA** Adapter sleeve, tapped 3/8" for mounting on spotlight stands. Holds insert adapters (CEBLA, CEBLI, CEBLO, CEONA, CEPRO, COLBE and CORPO) for quick changing of lamps etc. (95 g)
- CEHUO** Adapter sleeve with FOBA COMBITUBE mounting. Holds insert adapters (CEBLA, CEBLI, CEBLO, CEONA, CEPRO, COLBE and CORPO) for quick changing of lamps etc. (125 g)
- CEHUI** Adapter for laptop holder: upper opening fitted for ARTEU; lower opening with inner screw cone threaded 3/8" for COMBITUBE
Height 48 mm, Weight: 150 g
- CEONA** Extension for the sliding clamp bracket CEONO / SAONO
Extension: 8.5 cm, Weight: 325 g (0.7 lbs)
- COLBE** Universal insert adapter with wingnut, tapped 3/8". (100 g)
- CORPO** Insert adapter with forkpiece, for fixing FOBA background clamping device DAPAO / DAPAA. Fits CEHUA, CEHUO, CEONA or CEONO. (130 g)
- CEBLO** Insert adapter with 1/4" or 3/8" (Diam. 18 mm) thread for spotlight mounting. Fits inside CEHUA, CEHUO, CEONA or CEONO adapter sleeves. Bored for tightening with bar or screwdriver. (55 g)
- CEONO** Sliding clamp bracket for FOBA COMBITUBE®, infinitely adjustable at the touch of a button, with exchangeable sleeve at one end for CEBLA, CEBLI, CEBLO, CEONA, CEPRO, COLBE and CORPO insert adapters. (630 g)
- COGAE** Universal table clamp for fixing a FOBA COMBITUBE® at any angle on a suitable surface or on a tube up to 45 mm dia. (375 g)
- ASNEA CO** Table clamp for COMBITUBE®
Clamping distance up to 73 mm
Weight: 670 g (1.48 lbs)



ARTIE Example of an application of CEHUI

Tray for Laptop computer:

- Base plate **CESRA**
- Additional stabilizing weight **CESRU**
- COMBITUBE **CONRO AS** 80 cm
- Adapter **CEHUI**
- Laptop holder **ARTEU**

COMON Lampstand. The lampstand is combined from elements of the FOBA COMBITUBE® System. Position close to the floor up to 1.6 m can be reached, by sliding up and down.

Comprising:

- 2 CONRO AS FOBA COMBITUBE 80 cm
- 1 CESRA Baseplate
- 1 CEONO sliding clamp bracket
- 1 CEBLI all-purpose Adapter 5/8"

Hight: 1.6 m

Weight: 11 kg

COFLA plate with velcro.

Comprising:

- 1 Plate
- 10 self-adhesive velcro fixing pads

Weight: 43 g

COMEN Holder-kit with velcro. To simplify your table-top shoots. The flexible mounting arm is equipped with velcro. Including a set of 10 self-adhesive velcro fixing pads.

Comprising:

- 1 CEBRO table plate
- 1 COFLO flexible arm 20 cm
- 1 COFLA plate with velcro

Weight: 1350 g

CAMUN The swivelling Table-top-arm is combined from elements of the FOBA COMBITUBE® System.

Supplementary to the FOBA Shooting tables this new arm will just simplify your shoots.

This Table-top-arm can be extended with the modular COMBITUBE system from FOBA.

(1200 g)

The Table-top-arm comprises:

- 2 COKRO-AS FOBA COMBITUBE 40 cm
- 1 COGEA adjustable universal clamp
- 1 COFLO flexibal mounting arm 20 cm
- 1 COKLE FOBA COMBITUBE clamp 3/8"
- 1 COKLO FOBA COMBITUBE clamp

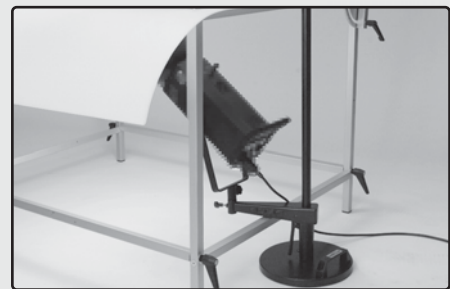
COBRI Brochure holder to mount on COMBITUBE®



ARTIE



COMON



COFLA



CAMUN



COMEN



COBRI

CESTO 3/8" threaded rod with adjusting disk, for mounting camera on tube end. (60 g)

CESTU Camera adapter with 1/4" and 3/8" threads for mounting camera on FOBA COMBITUBE. (190 g)

COTIO Accessory tray, threaded for FOBA COMBITUBE. Handy in the studio. Diameter 48 cm. (1450 g)

COFLU Flexible mounting arm, 40 cm long with 3/8" thread, for positioning small objects, paper and cardboard. (340 g)

COFLO Flexible mounting arm, 20 cm long with 3/8" thread, for positioning small objects, paper and cardboard. (180 g)

CEBRO Small baseplate, threaded, for table mounting short FOBA COMBITUBE (COARO, COKRO) and flexible mounting arms (COFLO, COFLU). (1070 g)

CEBLI Lamp adapter for CEONO/CEONA, CEHUA, CEHUO (100 g) all-purpose – 5/8"

CEBLA Lamp adapter BRONCOLOR for CEONO/CEONA, CEHUA, CEHUO

RODEE Lamphead adapter, threaded for FOBA COMBITUBE, inner cone.

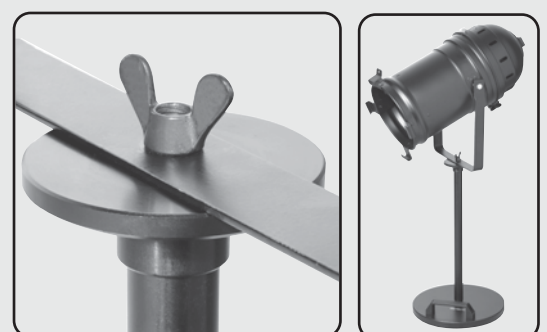
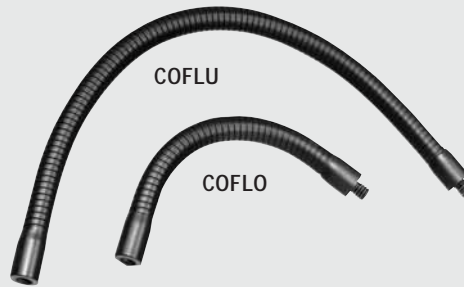
RODUA Lamphead adapter, threaded for FOBA COMBITUBE, outer cone (100g)

COGUO Rubber end for FOBA COMBITUBE. Prevents slipping. (30 g)

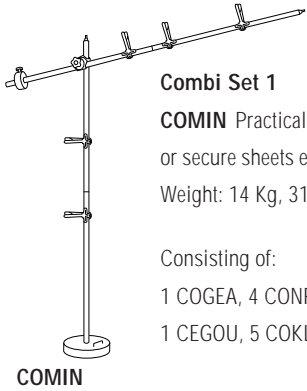
COLRU FOBA COMBITUBE caster for mobile studios. Maximum load 30 kg. (340 g)

CIBAM Adapter
 – top with COMBITUBE outer cone
 – bottom with male M6
 – length: 4.0 cm
 – diameter: 25 mm
 – weight: 40 g (0.09 lbs)

CESTA COMBITUBE plate, wing nut threaded 3/8" included
 Diameter: 79 mm
 Height: 28 mm
 Weight: 130 g



Example of an application of CESTA
 Left: Detail of the installation
 Right: Plate for lamps
 – Base plate **CESRA**
 – COMBITUBE® **COKRO** 40 cm
 – Plate **CESTA**



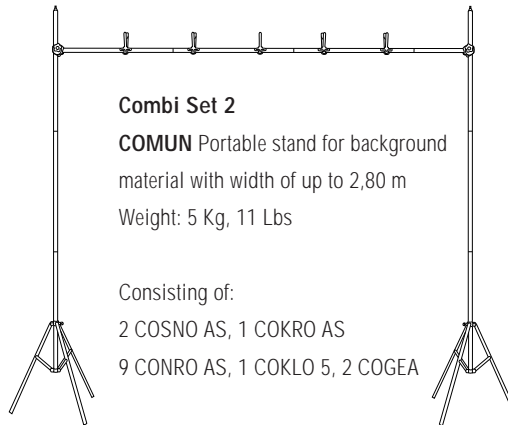
Combi Set 1

COMIN Practical stand to suspend lights or secure sheets etc. with a counter weight.
Weight: 14 Kg, 31 Lbs

Consisting of:

- 1 COGEA, 4 CONRO AS, 1 CESRA
- 1 CEGOU, 5 COKLO

COMIN



Combi Set 2

COMUN Portable stand for background material with width of up to 2,80 m
Weight: 5 Kg, 11 Lbs

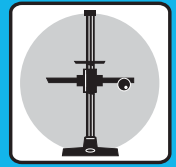
Consisting of:

- 2 COSNO AS, 1 COKRO AS
- 9 CONRO AS, 1 COKLO 5, 2 COGEA

COMUN



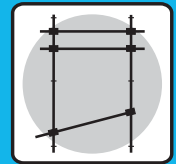
FOBA product lines:



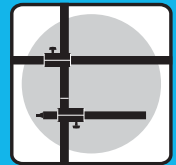
FOBA STUDIO STANDS, TRIPODS
FOBA STATIVE
FOBA PIEDS À COLONNE, TRÉPIEDS



FOBA TRIPOD HEADS
FOBA STATIVKÖPFE
FOBA TÊTES DE TRÉPIEDS



FOBA CEILING RAIL SYSTEM
FOBA DECKENSCHIENEN-SYSTEM
FOBA SYSTEME RAILS DE PLAFOND



FOBA COMBITUBE SYSTEM
FOBA COMBIROHR® SYSTEM
FOBA SYSTEME COMBITUBE



FOBA BACKGROUND TABLES
FOBA AUFNAHMETISCHE
FOBA TABLES DE PRISE DE VUE

FOBA®
STUDIO-TECHNOLOGY

FOBA AG
Studio-Technology
Friedgrabenstrasse 21
CH-8907 Wettwil

☎ +41 44 701 90 00
☎ +41 44 701 90 01

info@foba.com
www.foba.com