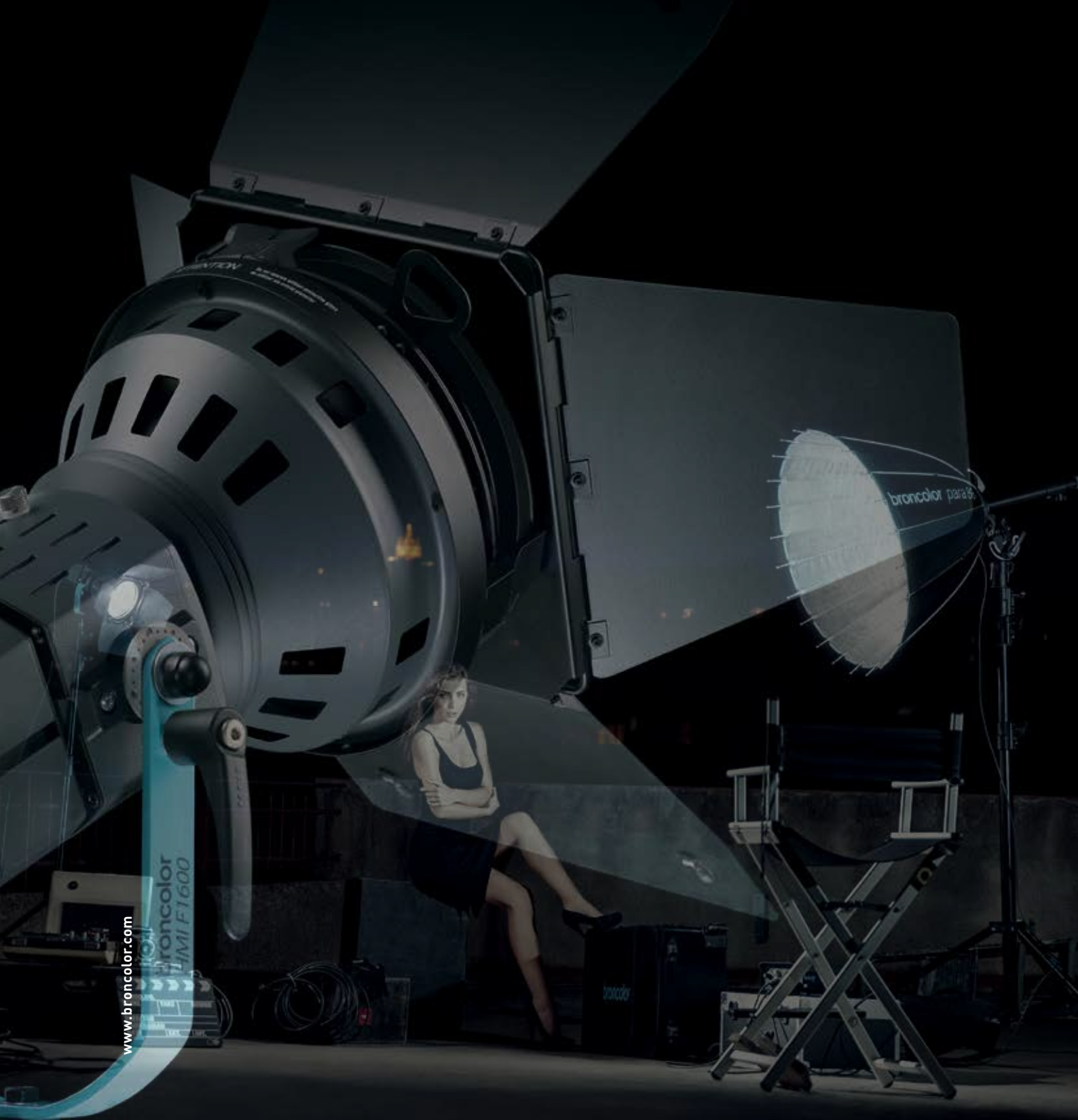


broncolor

Universal Continuous Lighting Systems



www.broncolor.com

broncolor
LMI F1600

broncolor para 60

25 FPS

400

V-CLR

180°



T 15:08:32:13

A010_C004

External RAW
RC6 25.00

0 OK

B 000

CONTENT

Philosophy	5	HMI F800 Daylight lamp	38
What is HMI?	6	The System	39
The most important features	7	Lamp	40
Point light source	8	Ballast unit	41
Colour rendering	9	Reflectors, photometrics and accessories	42
Continuous lighting innovations	10	Fresnel lens, photometrics and accessories	44
The five lamps	12	The Kits	45
HMI F200 Daylight lamp	14	HMI F1600 Daylight lamp	46
The System	15	The System	47
Lamp and ballast unit	16	Lamp and ballast unit	48
Reflectors, photometrics and accessories	17	Reflectors, photometrics and accessories	49
Fresnel lens, photometrics and accessories	19	Fresnel lens, photometrics and accessories	51
Adapter and accessories	21	The Kits	52
The Kits	23	Para System	56
HMI F400 Daylight lamp	24	FT System	58
The System	25	Para FT Kits	64
Lamp and ballast unit	26	Para Kits	66
Reflectors, photometrics and accessories	27	Various bags and transport cases	68
Fresnel lens, photometrics, accessories and Litepipe	29		
The Kits	31		
HMI F575.800 Daylight lamp	32		
The System	33		
Lamp and ballast unit	34		
Reflectors, photometrics and accessories	35		
Accessories	37		



Open Face



Our company, with its product brands, broncolor and kobold, was founded in 1958 and has developed over the past half-century into a “global player” in the international market for professional lighting systems.

Light is our passion

The challenge of rigorously searching out our customers' needs and then surprising them with innovative products is our motivation - and light is our passion. Our objective is to develop unique products that are contained in robust housings and presented as modern designs.

broncolor technologies are first-class and offer unbelievable quality combined with incomparable reliability. This is what you expect from us for your work, whether in a studio or on location.

Every product is one of a kind

Each and every unit that leaves our production is subjected to comprehensive functional testing. Wherever possible new developments are made to be compatible with earlier models. Improvements are made as quickly and efficiently as possible as the market needs and technologies change.

Systematically developed over the years and rigorously implemented, the broncolor philosophy is infused into our product range to such an extent that we tolerate no risk to our values that we are not wholeheartedly committed to.

We need your input, both now and in the future, to achieve our objectives, to establish our convictions, and to be certain that you will be numbered among our satisfied customers, both now and in the future.

Your advantage with HMI daylight lamps

HMI daylight lamps are halogen-metal-vapour lamps; they are classed as gas-discharge lamps. They have an impressive colour spectrum, which comes very close to that of natural daylight. The colour temperature lies in the 5500 to 6000 Kelvin range.

In contrast to halogen lamps, where a filament in a glass bulb generates a very synthetic light, the close-to-nature light in daylight lamps is generated by an electric arc between two electrodes.

They achieve a very high colour rendering index of up to 96, and a light yield of up to 117 Lumen per Watt. This puts HMI daylight lamps together with sodium-vapour lamps and LED lamps among the most efficient sources of illumination available on the market.

In comparison with halogen lamps, HMI lamps produce four-times the light yield for a given power consumption. For this reason they are especially suitable when you have to work at locations with weak power circuits or with power from a small generator set.

As with most gas-discharge lamps, HMI daylight lamps need a few minutes before they reach their full light output and optimum colour rendering. The lamps can be switched on again while hot (hot restrike). They can be switched on again without waiting for them to cool down.

Depending on the manufacturer, there are different designations for the same type of lamp. A ballast unit is needed for the operation of halogen-metal-vapour lamps.

To summarise, HMI daylight lamps combined with an electronic ballast unit are an unbeatable light source when you need to guarantee: colour rendering with a high CRI, light forming, high light yield and efficiency, and flicker-free operation. Even when hot the units can be switched on again - no tiresome waiting!



Technologies that interact: the most important features in brief



FLICKER-FREE

Flicker-free filming, even in slow motion

In high-speed exposures every instant, no matter how short, is recorded as a single image. If the continuous lighting employed does not radiate absolutely uniformly, there will inevitably be darker images in the individual sequences. When playing slow-motion films, each of these brief moments is shown for longer – incorrect exposures become visible and are perceived as flickering. With broncolor ballast units, the time for current reversal is so short that, even for high-speed exposures, the light is perceived as absolutely uniform and so flicker-free.



WEATHER SAFE

Weather-resistant under all conditions

The F200, F400 and F800 lights with Open Face or PAR reflectors mounted have ingress protection to IP 54. They can even be operated safely in pouring rain or a severe snow storm without additional protection. And even under such conditions a cold start is no problem. Reinforced electrical safety offers a high degree of protection in all normal illumination environments. The HMI 200 and HMI 400.575.800 ballast units have ingress protection to IP 43.



POINT LIGHT SOURCE

Point light sources with flexible characteristics

HMI daylight lamps enable a wide variety of different light characteristics. Formability of the light cone is only possible with a point light source. This is a decisive advantage in comparison with LED panels with which only area illumination is possible. At the same time these lamps provide very intense lighting and have outstanding efficiency.



COLOUR SPECTRUM

Optimum colour rendering for best results

A statement of the colour temperature in Kelvin is a very superficial measure of the colour rendering properties of light. To obtain more accurate information about light quality, we must look at the CRI (Colour Rendering Index). Hot light sources such as the sun (CRI 100), HMI and flash (CRI 95+) have very high CRI values, and thus a continuous light spectrum. Cold light sources such as fluorescent tubes, and also to some extent LEDs, come nowhere near these good CRI values. The reason lies in the line spectrum of the light source. With HMI daylight lamps, users achieve optimum colour rendering oriented towards the natural visible light spectrum.

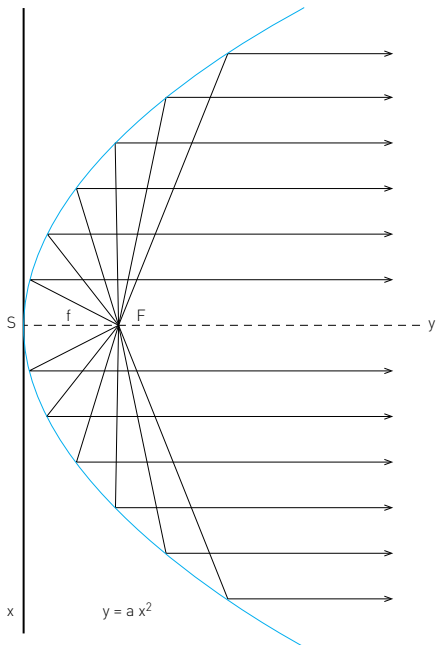


CROSSOVER SYSTEM

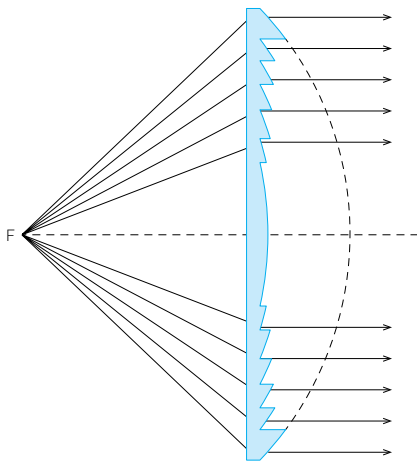
Crossover System for versatile combinations

The unique modular system of HMI daylight lamps offers an endless range of different light characteristics. It contains an enormous selection of reflectors, filters, PAR lenses, Softboxes and Para umbrellas. In addition, with appropriate adapters many light modifiers from the broncolor flash range can also be used. From very soft to extremely hard light, everything is possible. When the colour of light from a lamp corresponds to natural daylight, then it is highly suitable for mixing with daylight and flash. That's how optimum lighting goes.

HMI as optimum point light source



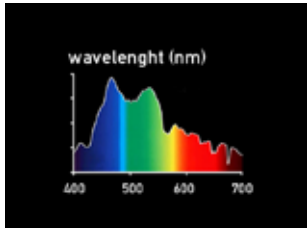
All photographic reflectors have a mathematically defined form as their basis. These are mostly parabolas, ellipses, or combinations of the two. One thing all these forms have in common is that they have a focal point. A consequence of this is that light can only be precisely formed when there is a point source of light at this focal point. If the light source is too big, a significant part of the light does not come from the optical centre, and so cannot be reflected in the right direction - this light leaves the reflector out of control. PAR lenses are designed to receive absolutely parallel light. This makes it essential that there is the smallest possible point as light source in the centre of the PAR reflector. That is one reason why PAR lenses should only be used at perfectly focused positions.



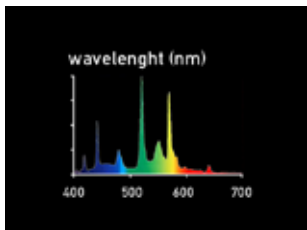
Identical reasoning also applies for optical systems, for example to Fresnel spots. These stepped lenses also have a focal point which needs a point-like light source at its centre. Here too, enlarging the light source has a negative effect on light control and quality.

HMI light sources are outstanding. They feature very high light density. That is to say a large amount of light is radiated from a very small point and accordingly can be precisely formed.

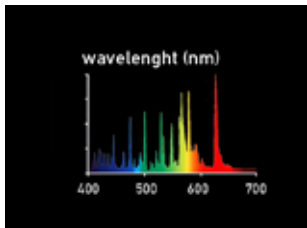
Colour rendering with nuances



Continuous spectrum
from a hot light source



Line spectrum from a
cold light source



Line spectrum from a
cold light source with
different light sources

A statement of the colour temperature in Kelvin is a rather vague measure of the colour rendering properties of light. The colour temperature only provides information about the ratio of blue and red light. If this is in balance, the light appears colour neutral, but there is no guarantee that other shades such as green or cyan are correctly reproduced.

To obtain more accurate information about light quality, we must look at the CRI (Colour Rendering Index). Hot light sources such as the sun (CRI 100), HMI (CRI 95+) have very high CRI values. Cold light sources such as fluorescent tubes (and also LEDs) come nowhere near these good CRI values. The reason lies in the different spectra of these light sources:

A feature of hot light sources is their continuous spectrum. That is to say, the light contains every wavelength, and so every imaginable colour can be reproduced. HMI Daylight Lamps achieve this.

In contrast cold light sources have line spectra. This means that certain colours are missing in the light, and so cannot be reproduced. In particular special and mixed colours suffer.

The CRI of cold light can be improved if different light sources are combined. This gives a spectrum with several lines and approximates to a continuous spectrum, but without ever approaching its quality with respect to colour rendering.

As a hot light source, the colour rendering of HMI comes closer to the sun than any other continuous light source.

A decision to use HMI daylight lamps is a decision for more light yield with low power consumption, for continuous flicker-free light, for better shaping, and for a broad colour spectrum for the images you desire.

Innovation from a unique broncolor solution: the Crossover System

Continuous lighting for all applications: photography, videography, broadcasting, film

The versatility of compact, modular daylight systems for discharge lamps from 200-1600 Watt is persuasive. They are eminently suitable for today's requirements in the fields of broadcasting, video, film and photography, whether in a studio or on location.

These unique products were born from many years experience in illumination technology, and offer you lots of daylight at the touch of a button, but at the same time they have very low power consumption, because they are more than three times as efficient as halogen lamps.

Innovative Technologies from broncolor

Due to their optimised design, these compact lamps operate without a cooling fan, and so are ideal for shooting with original, live sound. The robust lamps and their associated electronic ballast units are manufactured from high quality materials and designed for hard use. The light is flicker-free and can be dimmed by up to 50%.

Para for flash or continuous lighting

The new Para family with 88 cm, 133 cm, 177 cm and 220 cm diameters extends the range of applications enormously. The broncolor Para family makes every shooting a success. Unbelievably variable light, lightweight, compact, fully compatible with flash and continuous lighting – unlimited possibilities at the highest level.

Safety standards

With broncolor products you have safety on your side. The F200, F400 and F800 weather-resistant lamps, and the HMI 200 and HMI 400.575.800 ballast unit comply with the highest safety standards. The lamps have ingress protection to IP 54 and the ballast units to IP 43. These lamps and ballast units have reinforced insulation and so provide the best possible safety for lighting technicians on location.



Daylight to plug in

Mains voltages from 90-265 Volt are recognised automatically. With low power consumption due to their high efficiency lamps, they can operate from a normal domestic power socket anywhere in the world.



Photo or video? Photo and video! With the new continuous lighting systems from broncolor

You know how it is

You are taking photographs and your client comes on the set with a spontaneous idea "How about making a video as well?" Being ready in these cases means having a lot of equipment. And a lot of equipment means hard work.

The solution?

You work with ultra-compact, modular and extendible broncolor continuous lighting systems. Illuminate one set with daylight for photos and then another set for a video shooting? No problem! With broncolor HMI you have perfect daylight with you anywhere and any time.

At the touch of a button HMI lamps provide you with more than enough daylight. And they will amaze you with how little power they consume. Expressed in figures they have three times the energy efficiency of halogen lamps and they give substantially more light than LED lamps. In addition they provide you with ways to form and control your light beams at precisely the point you need. Because light colour and colour spectrum are always coordinated, you will have no trouble mixing the light with flash or sunlight without correction filters.

Do you often take photographs or film outdoors? The HMI lamp housings are robust and weather-resistant (HMI F200/F400/F800), they operate safely and reliably under the toughest conditions.

Now you need flash, now continuous lighting... ...and sometimes both.

No exceptional situation is like any other and no daylight is like any other. That is why you can adapt HMI lamps to widely differing conditions. To help with this you have not only the familiar broncolor reflectors, but also an additional range of Open Face and PAR reflectors especially designed for continuous lighting.





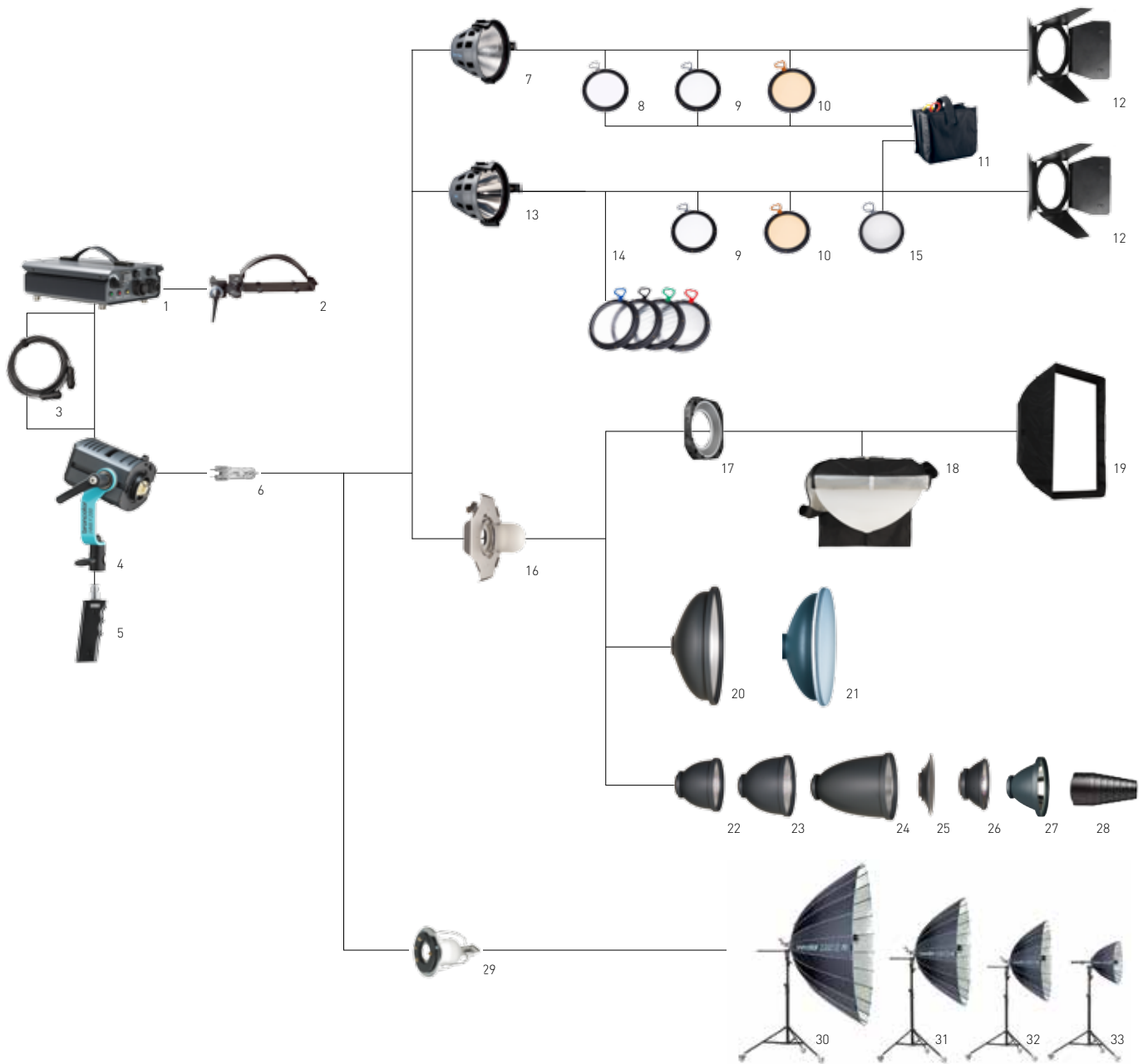
The worlds smallest weatherproof daylight lamp

Its compact design makes this lamp one of the smallest 200 W daylight lamps in the world. It is light, versatile and weather resistant, and fulfils all expectations both in the studio and on location. High efficiency gives it a light output comparable with a 1000 W halogen lamp.

The focusable lamphead may be fitted with an Open Face or PAR reflector, an adapter for Softboxes or a Para adapter.

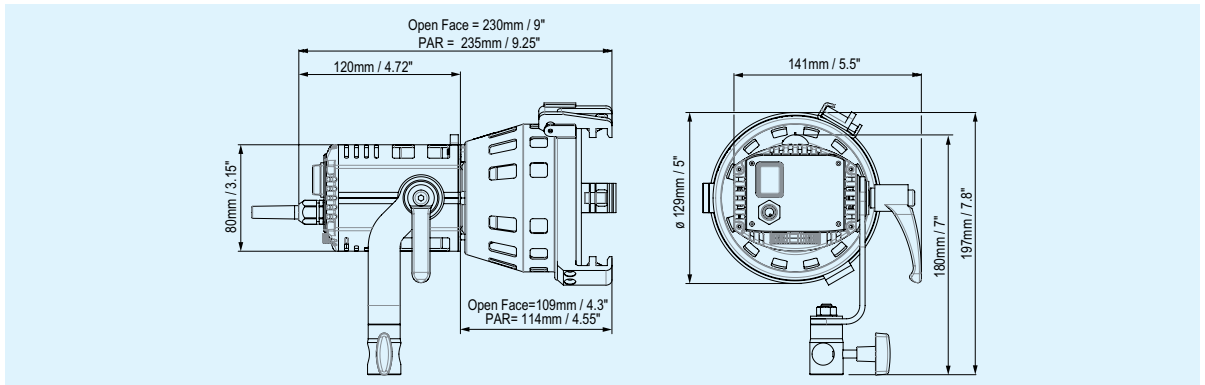
This enormous range of light shapers and accessories, including filters, lenses, softboxes and light grids, offers light with almost unlimited formability. The power consumption is so low that you can operate up to 7 lamps from a single mains socket.





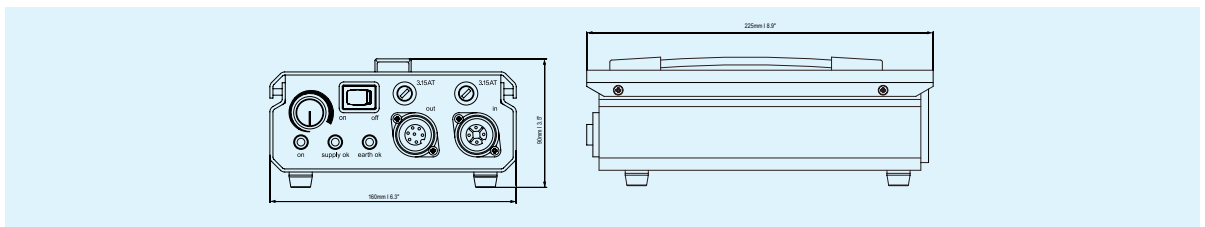
1 HMI 200 ballast unit	41.103.XX	12 4-leaf barn door for Open Face and PAR reflector	43.106.00	20 Softlight reflector P	33.110.00
2 Stand holder	35.118.00	13 PAR reflector	43.116.00	21 Beauty Dish reflector with textile diffuser	33.111.00
3 Lamp extension cable 5 m (16.4 ft)	44.201.00	14 Set of PAR lenses (4 pieces)	43.131.00	22 Standard reflector P70	33.107.00
4 HMI F200 lamphead	42.105.XX	15 Fresnel lens for PAR reflector	43.128.00	23 Standard reflector P65	33.106.00
5 Handle with spigot Ø 16 mm (5/8")	35.180.00	16 Adapter for HMI F200/F400 for Ø 170 mm (6 5/8") Speed Rings and accessories with broncolor bayonet	33.502.00	24 Narrow angle reflector P45	33.104.00
6 Bulb 200 W CSR 200/UVC/SE/HR	44.111.00	17 Speed Ring Ø 170 mm (6 5/8")	43.192.00	25 Wide angle reflector P120	33.112.00
Bulb 200 W MSR 200/SE/HR	44.105.00	18 Pancake Lantern M, Ø 89 × 43 (cm), with skirt, Chimera	43.452.00	26 P-Travel reflector	33.103.00
7 Open Face reflector	43.104.00	19 Softbox "Video Pro XXS", 30 × 40 (cm), Chim.	43.445.00	27 PAR reflector	33.113.00
8 Screen ring for Open Face reflector	43.109.00	Softbox "Video Pro XS", 40 × 55 (cm), Chim.	43.444.00	28 Conical snoot	33.120.00
9 Diffusion filter for Open Face and PAR reflector	43.107.00	Softbox "Video Pro S", 60 × 80 (cm), Chim.	43.446.00	29 Para adapter	33.489.01
10 Conversion filter 3200 K for Open Face and PAR reflector	43.108.00			30 Para 222 Kit without adapter	33.552.03
11 Bag for 5 filters/lenses	43.110.00			31 Para 177 Kit without adapter	33.551.03
				32 Para 133 HR Kit without adapter	33.550.06
				33 Para 88 HR Kit without adapter	33.483.06

HMI F200 Lamphead



	HMI F200 lamphead 42.105.00
Lamp output	200 W
Focusing function	Yes
Protection degree	IP 54 (weatherproof with Open Face and PAR reflector)
Connection to broncolor light shapers	With adapter 33.502.00
Cable length	5 m (16.4 ft)
Dimensions (L x B x H)	12 x 14.1 x 18 cm (4.7" x 5.6" x 7.1")
Weight without reflector	1.2 kg (2.6 lbs)
Accessories	Lamp extension cable 5 m (16.4 ft) 44.201.00 Handle with spigot Ø 16 (mm) (5/8") 35.180.00 Bulb 200 W MSR 200/SE/HR 44.105.00 Bulb 200 W CSR 200/UVC/SE/HR 44.111.00

HMI 200 Ballast unit



	HMI 200 ballast unit 41.103.XX
Power output	200 W
Compatible with lamphead	HMI F200
Dimmer	100%-60%
Flicker-free operation and thermo protection	Yes
Protection degree	IP 43 (splashwater protected)
Automatic adaptation to mains voltage	90 V - 265 V
Dimensions (L x B x H)	22.5 x 16 x 9 cm (8.9" x 6.3" x 3.5")
Weight	1.7 kg (3.7 lbs)
Accessories	Stand holder 35.118.00

The HMI 200 ballast unit is equipped with an automatic voltage detection circuit rated for 90 V to 265 V 50/60 Hz; it is protected against water splashes (IP 43) and flicker-

free. Even at very high ambient temperatures, the patented temperature control system ensures safe and reliable operation.

Open Face reflector



Structured reflector with uniform, rotationally symmetric illumination, direct mounting of conversion and diffusion filters, a screen ring or 4-leaf barn door. The HMI F200 lamphead equipped with the Open Face reflector features ingress protection to IP 54.

Open Face reflector | 43.104.00

114 × Ø 140 (mm) [4.5" × Ø 5.5"]

0.34 kg (0.749 lbs)

PHOTOMETRICS Open Face reflector 200 W



Distance	f-stop	Spot 14°	f-stop	Flood 51°
2 m	8 2/3	18225 Lux / 1693 fc	4 1/2	3769 Lux / 350 fc
3 m	5.6 7/10	8100 Lux / 753 fc	2.8 1/3	1675 Lux / 156 fc
5 m	1.4	294 Lux / 272 fc	2	605 Lux / 56 fc
10 m	2 2/10	729 Lux / 68 fc	-	151 Lux / 14 fc

Accessories

Diffusion filter

for Open Face and PAR reflector
43.107.00



Conversion filter 3200 K

for Open Face and PAR reflector
43.108.00



Screen ring

for Open Face reflector
43.109.00



4-leaf barn door

for Open Face and PAR reflector
43.106.00



Bag

for 5 filters / lenses
43.110.00



PAR reflector



High light output, narrow light angle, for direct or bounce lighting from ceilings, walls, sails, etc. or, in conjunction with a PAR or Fresnel lens, for different light characteristics and forms. The HMI F200 lamphead equipped with the PAR reflector features ingress protection to IP 54.

PHOTOMETRICS PAR reflector 200 W without lens



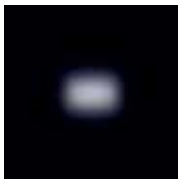
Distance	f-stop	Spot 6°
2 m	22 1/3	100115 Lux / 9301 fc
3 m	16 1/10	44940 Lux / 4175 fc
5 m	8 1/2	16224 Lux / 1507 fc
10 m	4 2/3	4045 Lux / 376 fc

PHOTOMETRICS PAR reflector 200 W with NSP lens



Distance	f-stop	Spot 11°
2 m	11 3/5	33840 Lux / 3144 fc
3 m	8 1/2	15040 Lux / 1397 fc
5 m	5.6 1/5	5430 Lux / 504 fc
10 m	2.8 1/5	1354 Lux / 126 fc

PHOTOMETRICS PAR reflector 200 W with MFL lens



Distance	f-stop	Spot 11 × 17°
2 m	11 1/3	26550 Lux / 2466 fc
3 m	8 1/5	11800 Lux / 1096 fc
5 m	4 4/5	4960 Lux / 396 fc
10 m	2 2/3	1062 Lux / 99 fc

PHOTOMETRICS PAR reflector 200 W with WFL lens



Distance	f-stop	Spot 19 × 50°
2 m	5.6 1/3	6255 Lux / 581 fc
3 m	4 1/10	2780 Lux / 258 fc
5 m	2 2/3	1004 Lux / 93 fc
10 m	1 1/3	250 Lux / 23 fc

PHOTOMETRICS PAR reflector 200 W with VWFL lens



Distance	f-stop	Spot 56°
2 m	2.8 3/5	2430 Lux / 226 fc
3 m	2 4/5	1080 Lux / 100 fc
5 m	1.4 1/5	390 Lux / 36 fc
10 m	0.7 1/10	97 Lux / 9 fc

PAR reflector | 43.116.00
 118 × Ø 140 (mm) [4.6" × Ø 5.5"]
 0.35 kg [0.77 lbs]

Accessories

Set of PAR lenses (4 pieces) | 43.131.00

available as set or sole unit
 43.119.00 PAR lens NSP
 43.121.00 PAR lens MFL
 43.123.00 PAR lens WFL
 43.125.00 PAR lens VWFL



Diffusion filter

for Open Face and PAR reflector
 43.107.00



Conversion filter 3200 K

for Open Face and PAR reflector
 43.108.00



4-leaf barn door

for Open Face and PAR reflector
 43.106.00



Bag

for 5 filters / lenses
 43.110.00



Fresnel lens for PAR reflector



In conjunction with the PAR reflector and the Fresnel lens, the lamp becomes a fully-fledged Fresnel lamp with light angle adjustment for directed or diffuse light.

Fresnel lens for PAR reflector | 43.128.00

13 × Ø 130 (mm) (0.5 × Ø 5.1")

0.21 kg (0.46 lbs)

PHOTOMETRICS PAR reflector 200 W with Fresnel lens



Distance	f-stop	Spot 37°	f-stop	Flood 75°
2 m	4 ¹ / ₅	2891 Lux / 268 fc	2.8	1249 Lux / 116 fc
3 m	2.8	1285 Lux / 119 fc	1.4 ² / ₃	555 Lux / 151 fc
5 m	1.4 ² / ₅	464 Lux / 43 fc	1 ² / ₃	200 Lux / 18 fc
10 m	0.7 ² / ₅	116 Lux / 11 fc	-	50 Lux / 5 fc

Accessories

Bag

for 5 filters / lenses
43.110.00





broncolor
HMI F400

Adapter for HMI F200/F400




The adapter for HMI F200/F400 and a Speed Ring* can be used to attach a Softbox or lantern. The entire light output of the Softbox is collected. This generates a soft, even light. In addition, this adapter provides a mounting for accessories with the broncolor bayonet fitting.

*The Speed Ring can also be mounted directly on the Open Face or PAR reflector


Adapter for HMI F200/F400 | 33.502.00
for Ø 170 (mm) (6 5/8") Speed Rings and accessories with broncolor bayonet
0.27 kg (0.595 lbs)

Accessories


Speed Ring
Ø 170 mm (6 5/8")
43.192.00



Pancake Lantern M, Chimera
Ø 89 × 43 (cm) (35" × 16.9"), with skirt
43.452.00



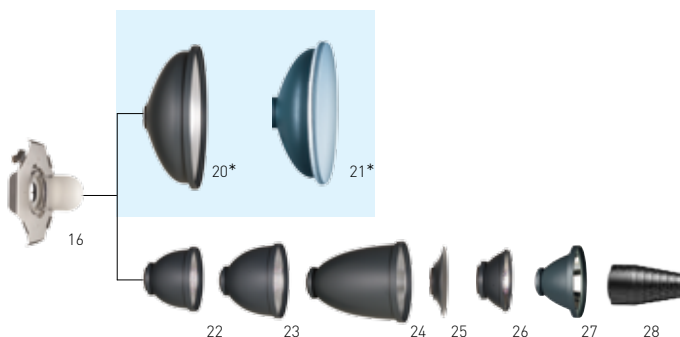
Softboxes Video Pro, Chimera
43.445.00 Video Pro XXS, 30 × 40 (cm) (11.8" × 15.7")
43.444.00 Video Pro XS, 40 × 55 (cm) (15.7" × 21.7")
43.446.00 Video Pro S, 60 × 80 (cm) (23.6" × 31.5")



Crossover to flash light shapers

broncolor offers a solution for every light atmosphere and every photographic challenge. With the adapter for HMI F200/F400, you can combine the two worlds and use reflectors from your existing flash range. One system for all your film and photo works – it saves you time and money.

The following light shapers can be combined with this adapter. For further details, please see broncolor's flash light catalogue.



16 Adapter for HMI F200/F400	33.502.00	22 Standard reflector P70	33.107.00	26 P-Travel reflector	33.103.00
20 Softlight reflector P	33.110.00*	23 Standard reflector P65	33.106.00	27 PAR reflector	33.113.00
21 Beauty Dish reflector with textile diffuser	33.111.00*	24 Narrow angle reflector P45	33.104.00	28 Conical snoot	33.120.00
		25 Wide angle reflector P120	33.112.00		

*only for lamphead HMI F200



HMI 200 Starter Kit

What if you don't have any broncolor light shapers?

In this case, the Starter Kit is the perfect basic equipment if you are often on the move shooting videos or taking pictures. It consists of a focusable HMI lamphead, an Open Face reflector, a 4-leaf barn door, diffusion and conversion filters, an adapter for nearly all light shapers from broncolor, and a Softbox.

HMI 200 Starter Kit | 41.111.XX

HMI F200 lamphead incl. bulb, HMI 200 ballast unit, Open Face reflector, 4-leaf barn door, diffusion filter, conversion filter (3200 K), screen ring, bag for 5 filters / lenses, adapter for HMI F200/F400, Speed Ring Ø 170 mm (6 5/8"), Softbox "Video Pro XS" 40 × 55 (cm) (15.7" × 21.7"), Light Bag
Total 9.2 kg (20.3 lbs)



HMI 200 Crossover Kit

But what if you already own broncolor light shapers?

Then the Crossover Kit is exactly right for you. It consists of a focusable HMI lamphead, an adapter for nearly all light shapers from broncolor and a Softbox. The complete equipment, whether Starter Kit or Crossover Kit, is safely stored and well protected in a sturdy, generously dimensioned case.

HMI 200 Crossover Kit | 41.113.XX

HMI F200 lamphead incl. bulb, HMI 200 ballast unit, adapter for HMI F200/F400, Speed Ring Ø 170 mm (6 5/8"), Softbox "Video Pro XS" 40 × 55 (cm) (15.7" × 21.7"), Light Bag
Total 8.3 kg (18.3 lbs)



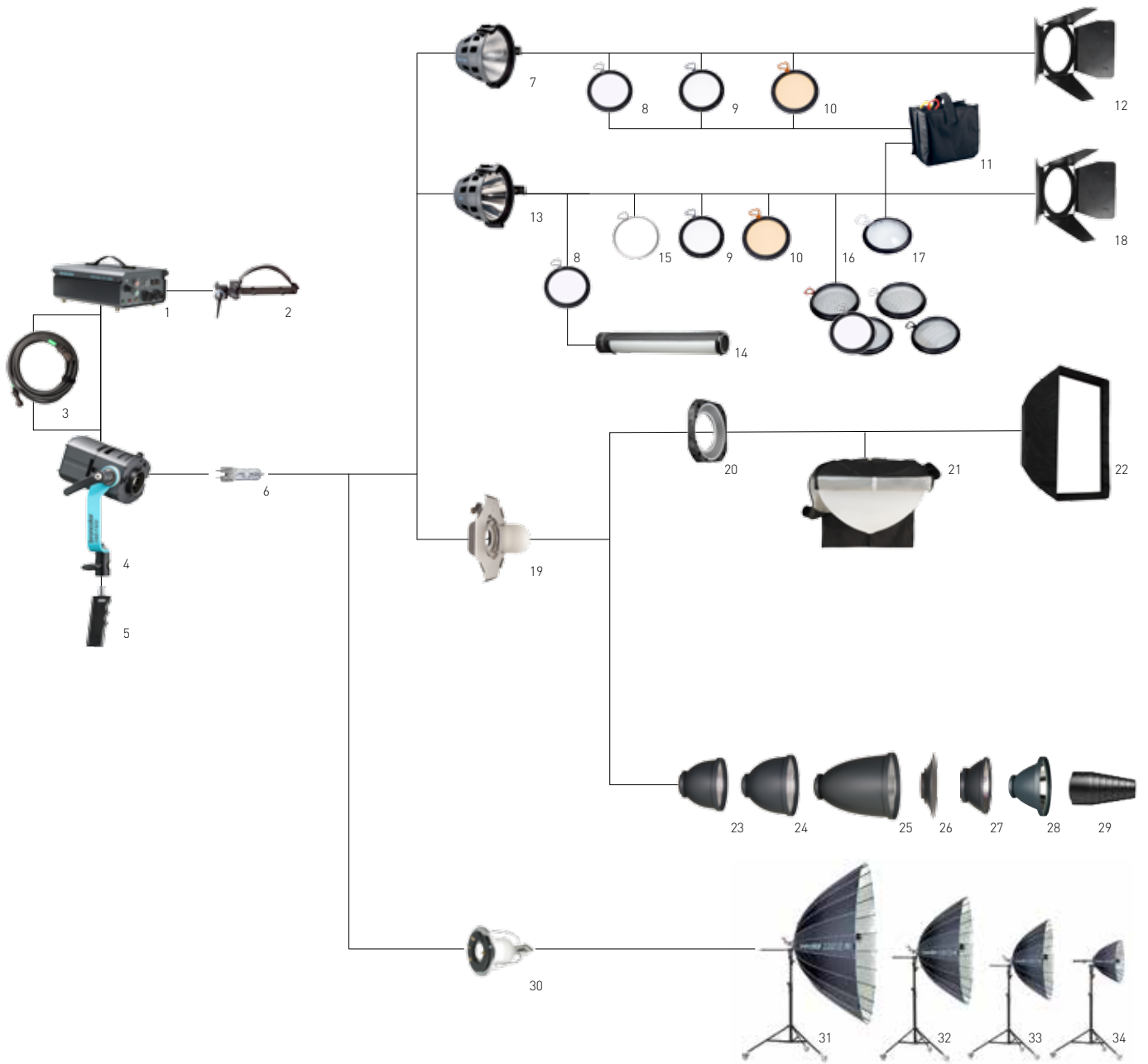
All-purpose daylight equipment

When daylight is required, the HMI F400 focusable, weatherproof (IP 54), multi-purpose lamp is eminently suitable for shooting stills and videos, whether in the studio or outdoors. The light output is comparable to a 1200 to 1400 W halogen lamp, but it needs only a quarter of the power.

Thanks to the large accessory range, light shaping leaves nothing to be desired. The light can be mixed with flash or natural daylight.

The lamp can be fitted with an Open Face, PAR, or one of a large variety of Softboxes. The Fresnel lens for the PAR reflector converts the lamp into a fully-fledged Fresnel lamp. The optional, foldable Litepipe (light tube) is ideal on location when space is limited.



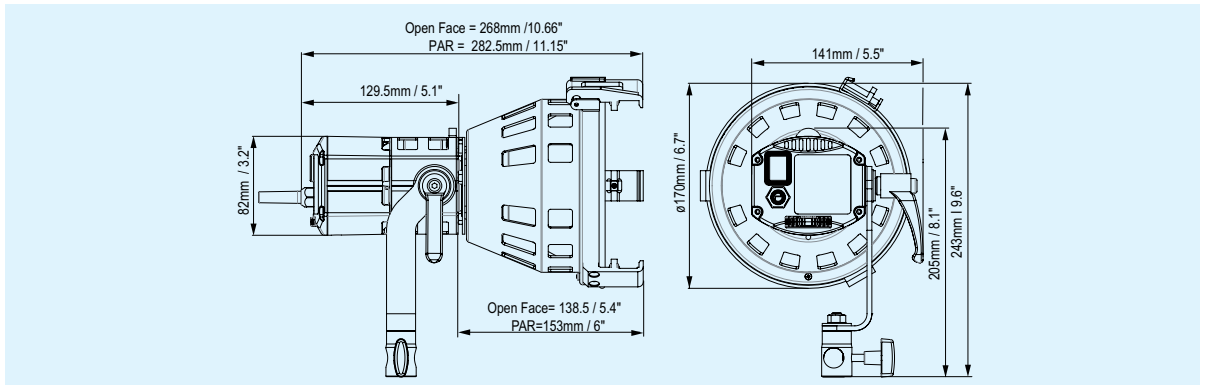


1 HMI 400.575.800 ballast unit	41.102.XX
2 HMI 400.575.800 ballast unit	35.118.00
3 Lamp extension cable 7.5 m [24.6 ft]	44.202.00
Lamp extension cable 10 m [32.8 ft]	44.203.00
Lamp extension cable 20 m [65.6 ft]	44.204.00
4 HMI F400 lamphead	42.106.00
5 Handle with spigot Ø 16 (mm) [5/8"]	35.180.00
6 Bulb 400 W CSR 400/UVC/SE/HR	44.120.00
Bulb 400 W MSR 400/SE/HR	44.106.00
7 Open Face reflector	43.111.00
8 Screen ring for Open Face reflector	43.114.00
9 Diffusion filter for Open Face and PAR reflector	43.112.00
10 Conversion filter 3200 K for Open Face and PAR reflector	43.113.00
11 Bag for 5 filters/lenses	43.115.00

12 4-leaf barn door for Open Face and PAR reflector	43.105.00
13 PAR reflector	43.117.00
14 Litepipe	43.118.00
15 Scrim Ring for PAR reflector	43.127.00
16 Set of PAR lenses [4 pieces]	43.132.00
17 Fresnel lens for PAR reflector	43.129.00
18 4-leaf barn door for Open Face and PAR reflector	43.105.00
19 Adapter for HMI F200/F400 for Ø 170 (mm) [6 5/8"] Speed Rings and accessories with broncolor bayonet	33.502.00
20 Speed Ring Ø 170 (mm) [6 5/8"]	43.192.00
21 Pancake Latern M, Ø 89 × 43 (cm), with skirt, Chimera	43.452.00
22 Softbox " Video Pro XXS", 30 × 40 (cm), Chim.43.445.00	

Softbox " Video Pro XS", 40 × 55 (cm), Chim.	43.444.00
Softbox " Video Pro S", 60 × 80 (cm), Chim.	43.446.00
23 Standard reflector P70	33.107.00
24 Standard reflector P65	33.106.00
25 Narrow angle reflector P46	33.104.00
26 Wide angle reflector P120	33.112.00
27 P-Travel reflector	33.103.00
28 PAR reflector	33.113.00
29 Conical snoot	33.120.00
30 Para adapter	33.489.01
31 Para 222 Kit without adapter	33.552.03
32 Para 177 Kit without adapter	33.551.03
33 Para 133 HR Kit without adapter	33.550.06
34 Para 88 HR Kit without adapter	33.483.06

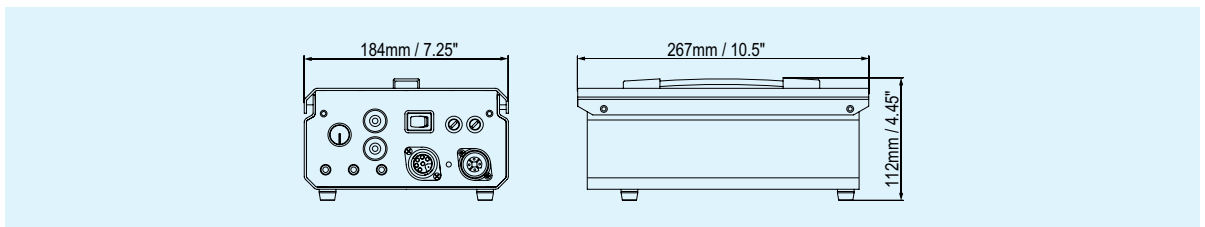
HMI F400 Lamphead



HMI F400 lamphead | 42.106.00

Lamp output	400 W
Focusing function	Yes
Protection degree	IP 54 (weatherproof with Open Face and PAR reflector)
Connection to broncolor light shapers	With adapter 33.502.00
Cable length	6 m (19.7 ft)
Dimensions (L x B x H)	13 x 14.1 x 20.5 cm (5.1" x 5.6" x 8.1")
Weight without reflector	1.4 kg (3.1 lbs)
Accessories	Lamp extension cable 7.5 m (24.6 ft) 44.202.00 Lamp extension cable 10 m (32.8 ft) 44.203.00 Lamp extension cable 20 m (65.6 ft) 44.204.00 Handle with spigot Ø 16 (mm) (5/8") 35.180.00 Bulb 400 W MSR 400/SE/HR 44.106.00 Bulb 400 W CSR 400/UVC/SE/HR 44.120.00

HMI 400.575.800 Ballast unit



HMI 400.575.800 ballast unit | 41.102.XX

Power output	400 / 575 / 800 W
Compatible with lamphead	HMI F400, HMI F575.800, HMI F800
Dimmer	100%-60%
Flicker-free operation and thermo protection	Yes
Protection degree	IP 43 (splashwater protected)
Automatic adaptation to mains voltage	90 V - 265 V
Dimensions (L x B x H)	26.7 x 18.4 x 11.2 cm (10.5" x 7.2" x 4.4")
Weight	2.6 kg (5.7 lbs)
Accessories	Stand holder 35.118.00

The HMI 400.575.800 ballast unit is equipped with an automatic voltage detection circuit rated for 90 V to 265 V 50/60 Hz; it is protected against water splashes (IP 43) and flicker-

free. Even at very high ambient temperatures, the patented temperature control system ensures safe and reliable operation.

Open Face reflector



Structured reflector with uniform, rotationally symmetric illumination, direct mounting of conversion and diffusion filters, a screen ring or 4-leaf barn door. The HMI F400 lamphead equipped with the Open Face reflector features ingress protection to IP 54.

Open Face reflector | 43.111.00

146 × Ø 185 (mm) [5.7" × Ø 7.3"]

0.65 kg (1.4 lbs)

PHOTOMETRICS Open Face reflector 400 W



Distance	f-stop	Spot 14°	f-stop	Flood 51°
2 m	16 ¹ / ₅	43200 Lux / 4013 fc	5.6 ¹ / ₂	7650 Lux / 711 fc
3 m	11	19200 Lux / 1784 fc	2.8 ¹ / ₃	3400 Lux / 316 fc
5 m	5.6 ¹ / ₃	6912 Lux / 642 fc	2.8	1224 Lux / 114 fc
10 m	2.8 ¹ / ₂	1728 Lux / 160 fc	1 ⁴ / ₅	306 Lux / 28 fc

Accessories

Diffusion filter

for Open Face and PAR reflector
43.112.00



Conversion filter 3200 K

for Open Face and PAR reflector
43.113.00



Screen ring

for Open Face reflector
43.114.00



4-leaf barn door

for Open Face and PAR reflector
43.105.00



Bag

for 5 filters / lenses
43.115.00



PAR reflector



High light output, narrow light angle, for direct or bounce lighting from ceilings, walls, sails, etc. or, in conjunction with a PAR or Fresnel lens, for different light characteristics and forms. The HMI F400 lamphead equipped with the PAR reflector features ingress protection to IP 54.

PHOTOMETRICS PAR reflector 400 W without lens



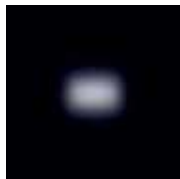
Distance	f-stop	Spot 5°
2 m	32 ⁴ / ₅	299250 Lux / 27801 fc
3 m	22 ¹ / ₂	133000 Lux / 12356 fc
5 m	16 ¹ / ₅	47880 Lux / 4448 fc
10 m	8 ¹ / ₅	11970 Lux / 1112 fc

PHOTOMETRICS PAR reflector 400 W with NSP lens



Distance	f-stop	Spot 8°
2 m	22 ⁴ / ₅	148500 Lux / 13796 fc
3 m	16 ¹ / ₂	66000 Lux / 6132 fc
5 m	2.8 ⁴ / ₅	23760 Lux / 2207 fc
10 m	5.6 ¹ / ₅	5940 Lux / 552 fc

PHOTOMETRICS PAR reflector 400 W with MFL lens



Distance	f-stop	Spot 12 × 28°
2 m	11 ³ / ₅	34875 Lux / 3240 fc
3 m	8 ¹ / ₂	15500 Lux / 1440 fc
5 m	5.6 ¹ / ₅	5580 Lux / 518 fc
10 m	2.8 ¹ / ₅	1395 Lux / 130 fc

PHOTOMETRICS PAR reflector 400 W with WFL lens



Distance	f-stop	Spot 20 × 50°
2 m	2.8 ¹ / ₅	13050 Lux / 1212 fc
3 m	5.6 ¹ / ₅	5800 Lux / 539 fc
5 m	2.8 ¹ / ₂	2088 Lux / 194 fc
10 m	1.4 ³ / ₅	522 Lux / 48 fc

PHOTOMETRICS PAR reflector 400 W with VWFL lens



Distance	f-stop	Spot 56°
2 m	2.8 ⁴ / ₅	2430 Lux / 226 fc
3 m	2 ² / ₃	1080 Lux / 100 fc
5 m	1.4 ¹ / ₅	390 Lux / 36 fc
10 m	0.7 ¹ / ₅	97 Lux / 9 fc

PAR reflector | 43.117.00
 158 × Ø 185 (mm) [6.2" × Ø 7.3"]
 0.68 kg (1.5 lbs)

Accessories

Set of PAR lenses (4 pieces) | 43.132.00

available as set or sole unit
 43.120.00 PAR lens NSP
 43.122.00 PAR lens MFL
 43.124.00 PAR lens WFL
 43.126.00 PAR lens VWFL



Diffusion filter

for Open Face and PAR reflector
 43.112.00



Conversion filter 3200 K

for Open Face and PAR reflector
 43.113.00



4-leaf barn door

for Open Face and PAR reflector
 43.105.00



Bag

for 5 filters / lenses
 43.115.00



Fresnel lens for PAR reflector



In conjunction with the PAR reflector and the Fresnel lens the lamp becomes a fully-fledged Fresnel lamp with light angle adjustment for directed or diffuse light.

Fresnel lens for PAR reflector | 43.129.00

13 × Ø 170 (mm) [0.5" × Ø 6.7"]

0.34 kg (0.7 lbs)

PHOTOMETRICS PAR reflector 400 W with Fresnel lens



Distance	f-stop	Spot 38°	f-stop	Flood 68°
2 m	4 ⁴ / ₅	4950 Lux / 460 fc	2.8 ⁴ / ₅	2340 Lux / 217 fc
3 m	2.8 ³ / ₅	2200 Lux / 204 fc	2 ² / ₃	1040 Lux / 97 fc
5 m	2 ¹ / ₃	792 Lux / 73 fc	1.4 ¹ / ₅	374 Lux / 35 fc
10 m	1 ¹ / ₅	198 Lux / 18 fc	1 ² / ₅	94 Lux / 9 fc

Accessories

Bag

for 5 filters / lenses

43.115.00



Litepipe for PAR reflector



In conjunction with the PAR reflector the foldable Litepipe (light tube) is ideal on location when space is limited. The soft light is comparable to a Strip Softbox. Its tubular design makes the Litepipe the optimum solution for narrow locations.

Litepipe for PAR reflector | 43.118.00

Ø 180 × 1150 (mm) [7.1" × 45.3"]

1.4 kg - with bag 3 kg (6.6 lbs)

Size of bag: 580 × 220 × 220 (mm) [22.8" × 8.7" × 8.7"]

PHOTOMETRICS PAR reflector 400 W with Litepipe

Distance	f-stop	
2 m	4 ⁴ / ₅	4950 Lux / 460 fc
3 m	2.8 ³ / ₅	2200 Lux / 204 fc
5 m	2 ¹ / ₃	792 Lux / 73 fc





HMI 400 Starter Kit

What if you don't have any broncolor light shapers?

In this case, the Starter Kit is the perfect basic equipment if you are often on the move shooting videos or taking pictures. It consists of a focusable HMI lamphead, an Open Face reflector, a 4-leaf barn door, diffusion and conversion filters, an adapter for nearly all light shapers from broncolor, and a Softbox.

HMI 400 Starter Kit | 41.112.XX

HMI F400 lamphead incl. bulb, HMI 400.575.800 ballast unit, Open Face reflector, 4-leaf barn door, diffusion filter, conversion filter (3200 K), screen ring, bag for 5 filters / lenses, adapter for HMI F200/F400, Speed Ring Ø 170 (mm) (6 5/8"), Softbox "Video Pro XS" 40 × 55 (cm) (15.7" × 21.7"), Light Bag
Total 12.5 kg (27.6 lbs)



HMI 400 Crossover Kit

But what if you already own broncolor light shapers?

Then the Crossover Kit is exactly right for you. It consists of a focusable HMI lamphead, an adapter for nearly all light shapers from broncolor and a Softbox. The complete equipment, whether Starter kit or Crossover Kit, is safely stored and well protected in a sturdy, generously dimensioned case.

HMI 400 Crossover Kit | 41.114.XX

HMI F400 lamphead incl. bulb, HMI 400.575.800 ballast unit, adapter for HMI F200/F400, Speed Ring Ø 170 (mm) (6 5/8"), Softbox "Video Pro XS" 40 × 55 (cm) (15.7" × 21.7"), Light Bag
Total 9.7 kg (21.4 lbs)

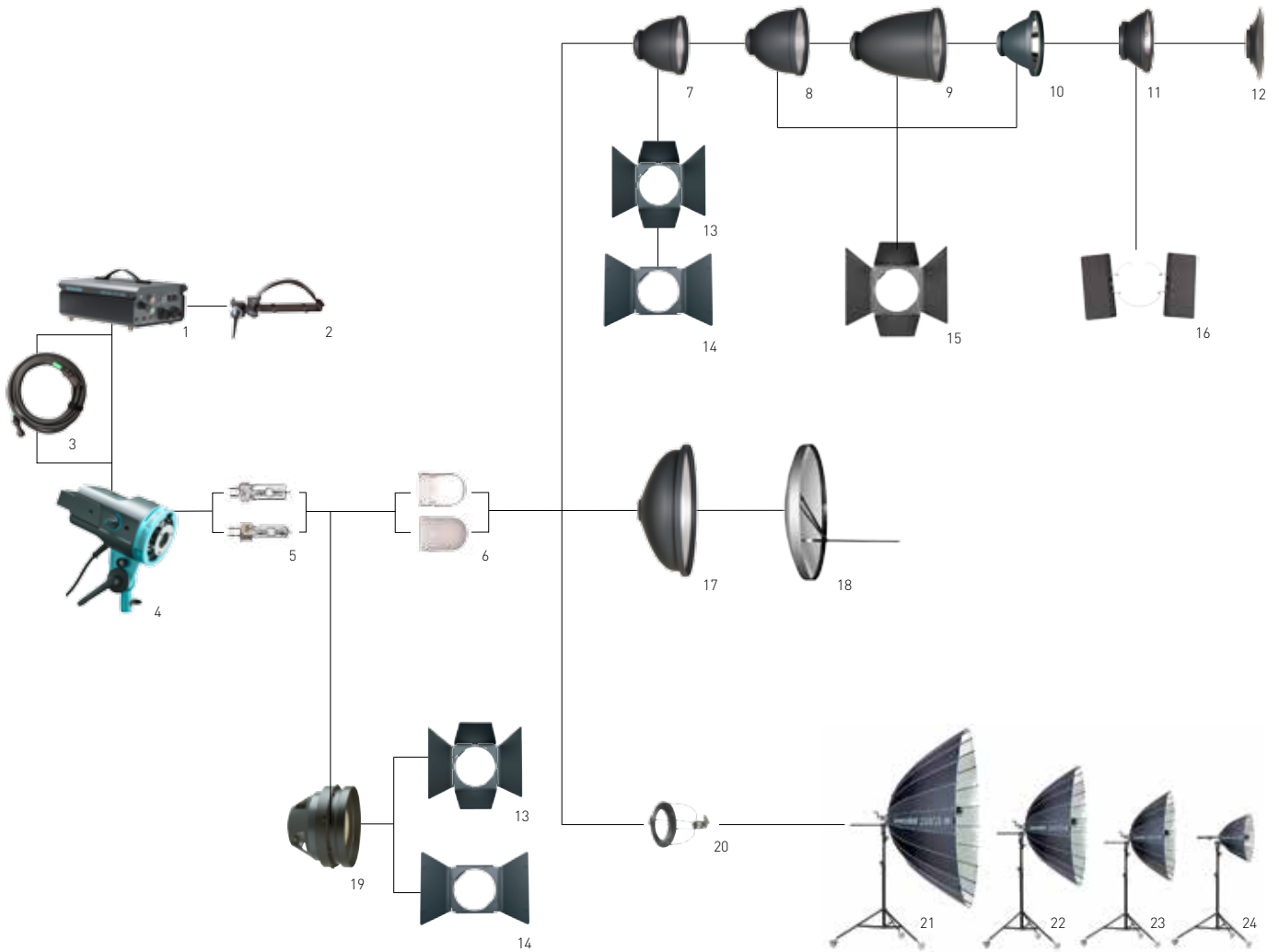


Little switchable

The popularity of this lamp derives from its small size and bayonet mounting (with automatic locking), which enables the direct use of broncolor light shapers. The HMI F575.800 lamphead can be equipped with a 575 W or 800 W daylight bulb. You can switch quickly

and easily from 575 W to 800 W or vice versa, and mount the corresponding protecting glass. This daylight source is made for the professional illumination of shots and scenes for still photography or filming.





1 HMI 400.575.800 ballast unit	41.102.XX	8 Standard reflector P65	33.106.00	17 Softlight reflector P	33.110.00
2 Stand holder	35.118.00	9 Narrow angle reflector P45	33.104.00	18 Mini-Satellite reflector	33.152.00
3 Lamp extension cable 7.5 m (24.6 ft)	44.202.00	10 PAR reflector	33.113.00	19 PAR reflector 5500 K	43.103.55
Lamp extension cable 10 m (32.8 ft)	44.203.00	11 P-Travel reflector	33.103.00	PAR reflector 5900 K	43.103.59
Lamp extension cable 20 m (65.6 ft)	44.204.00	12 Wide angle reflector P120	33.112.00	20 Para adapter	33.489.00
4 HMI F575.800 lamphead	42.104.00	13 Barn door with 4 wings	33.247.00	21 Para 222 Kit without adapter	33.552.03
5 Bulb 575 W MSR 575/UVC/SE/HR	44.100.00	for PAR and P70 reflectors	33.227.00	22 Para 177 Kit without adapter	33.551.03
Bulb 800 W BA 800/UVC/SE/HR	44.104.00	14 Barn door with 2 wings	33.246.00	23 Para 133 HR Kit without adapter	33.550.06
6 Protecting glass 5500 K	44.101.55	for PAR and P70 reflectors	33.243.00	24 Para 88 HR Kit without adapter	33.483.06
Protecting glass mat 5500 K	44.102.55	15 Barn door for P65, P45 and PAR			
7 Standard reflector P70	33.107.00	16 Barn door for P-Travel			

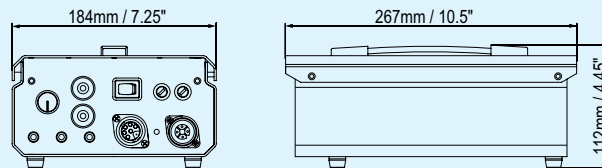
HMI F575.800 Lamphead



HMI F575.800 lamphead | 42.104.00

Lamp output	575 W or 800 W
Focusing function	Yes
Connection to broncolor light shapers	Yes
Cable length	3.5 m (11.5 ft)
Dimensions (L × B × H)	32.1 × 12 × 19.8 cm (12.6" × 4.7" × 7.8")
Weight without reflector	2.6 kg (5.7 lbs)
Accessories	Lamp extension cable 7.5 m (24.6 ft) 44.202.00 Lamp extension cable 10 m (32.8 ft) 44.203.00 Lamp extension cable 20 m (65.6 ft) 44.204.00 Bulb 575 W MSR 575/UVC/SE/HR 44.100.00 Bulb 800 W BA 800/UVC/SE/HR 44.104.00 Protecting glass 5500 K 44.101.55 Protecting glass 5500 K (mat) 44.102.55

HMI 400.575.800 Ballast unit



HMI 400.575.800 ballast unit | 41.102.XX

Power output	400 / 575 / 800 W
Compatible with lamphead	HMI F400, HMI F575.800, HMI F800
Dimmer	100%-60%
Flicker-free operation and thermo	Yes
Protection degree	IP 43 (splashwater protected)
Automatic adaptation on mains voltage	90 V - 265 V
Dimensions (L × B × H)	26.7 × 18.4 × 11.2 cm (10.5" × 7.2" × 4.4")
Weight	3.3 kg (7.3 lbs)
Accessories	Stand holder 35.118.00

The HMI 400.575.800 ballast unit is equipped with an automatic voltage detection circuit rated for 90 V to 265 V 50/60 Hz; it is protected against water splashes (IP 43) and flicker-

free. Even at very high ambient temperatures, the patented temperature control system ensures safe and reliable operation.

PAR reflector



High light output, narrow light angle, for direct or bounce lighting from ceilings, walls, sails, etc. Including 4 PAR lenses with different beam angles for additional light creations.

PAR reflector incl. 4 PAR lenses (5500 K) | 43.103.55
 195 × Ø 230 (mm) [7.7" × Ø 9.1"] **(5900 K)** | 43.103.59
 1.2 kg (2.6 lbs)

PHOTOMETRICS P70 reflector 575 W



Distanz	f-stop	Spot 40°	f-stop	Flood 75°
2 m	5.6 1/2	7560 Lux	2.8 4/5	2300 Lux
3 m	4 1/3	3360 Lux	2 2/3	1020 Lux
5 m	2 4/5	1210 Lux	1.4 1/5	370 Lux
10 m	1 4/5	300 Lux	0.7 1/5	85 Lux

PHOTOMETRICS P70 reflector 800 W

f-stop	Spot 40°	f-stop	Flood 75°
8 1/2	15860 Lux	4 3/5	4100 Lux
5.6 1/2	7050 Lux	2.8 1/2	1820 Lux
2.8 9/10	2540 Lux	2 1/5	660 Lux
2	640 Lux	1	165 Lux

PHOTOMETRICS PAR reflector 575 W with NSP lens



Distance	f-stop	Spot 8°
2 m	22 1/10	88420 Lux
3 m	11 9/10	39300 Lux
5 m	4 4/5	4150 Lux
10 m	4 1/2	3540 Lux

PHOTOMETRICS PAR reflector 800 W with NSP lens



Distance	f-stop	Spot 8°
2 m	32 1/10	175725 Lux
3 m	16 4/5	78100 Lux
5 m	11 3/5	28120 Lux
10 m	5.6 1/2	7030 Lux

PHOTOMETRICS PAR reflector 575 W with MFL lens



Distance	f-stop	Spot 26 × 60°
2 m	11 1/2	31950 Lux
3 m	8 1/2	14200 Lux
5 m	5.6	5120 Lux
10 m	2.8	1280 Lux

PHOTOMETRICS PAR reflector 800 W with MFL lens



Distance	f-stop	Spot 26 × 60°
2 m	16 1/2	61880 Lux
3 m	11 1/3	27500 Lux
5 m	5.6 9/10	9900 Lux
10 m	2.8 4/5	2480 Lux

PHOTOMETRICS PAR reflector 575 W with WFL lens



Distance	f-stop	Spot 14 × 28°
2 m	8 1/5	11360 Lux
3 m	4 9/10	5050 Lux
5 m	2.8 2/3	1820 Lux
10 m	1.4 1/2	460 Lux

PHOTOMETRICS PAR reflector 800 W with WFL lens



Distance	f-stop	Spot 14 × 28°
2 m	11 2/5	21380 Lux
3 m	5.6 4/5	9500 Lux
5 m	4 1/2	3420 Lux
10 m	1 1/3	860 Lux

PHOTOMETRICS PAR reflector 575 W with VWFL lens



Distance	f-stop	Spot 66°
2 m	5.6	5180 Lux
3 m	2.8 4/5	2300 Lux
5 m	2 1/2	830 Lux
10 m	1 1/3	210 Lux

PHOTOMETRICS PAR reflector 800 W with VWFL lens



Distance	f-stop	Spot 66°
2 m	5.6 9/10	9950 Lux
3 m	4 2/3	4420 Lux
5 m	2.8 1/5	1590 Lux
10 m	1.4 1/3	400 Lux

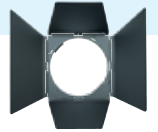




Accessories

Barn door for PAR and P70 reflectors

with 4 leaves
33.247.00



Barn door for PAR and P70 reflectors

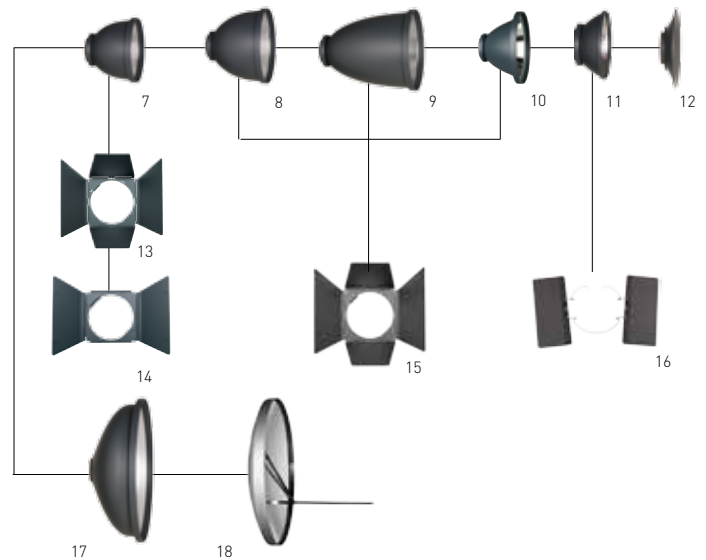
with 2 leaves
33.227.00



Compatible flash range

What if you already own broncolor light shapers, such as the P70 reflector, the Beauty Dish or PAR reflector, and you now want to work with the small, continuous HMI F575.800 without having to buy new reflectors?

These are the light shapers compatible with the HMI F575.800. Of course, the whole Para range is also included - for more details about them please see the Para chapter on page 66.



7	Standard reflector P70	33.107.00
8	Standard reflector P65	33.106.00
9	Narrow angle reflector P45	33.104.00
10	PAR reflector	33.113.00
11	P-Travel reflector	33.103.00
12	Wide angle reflector P120	33.112.00

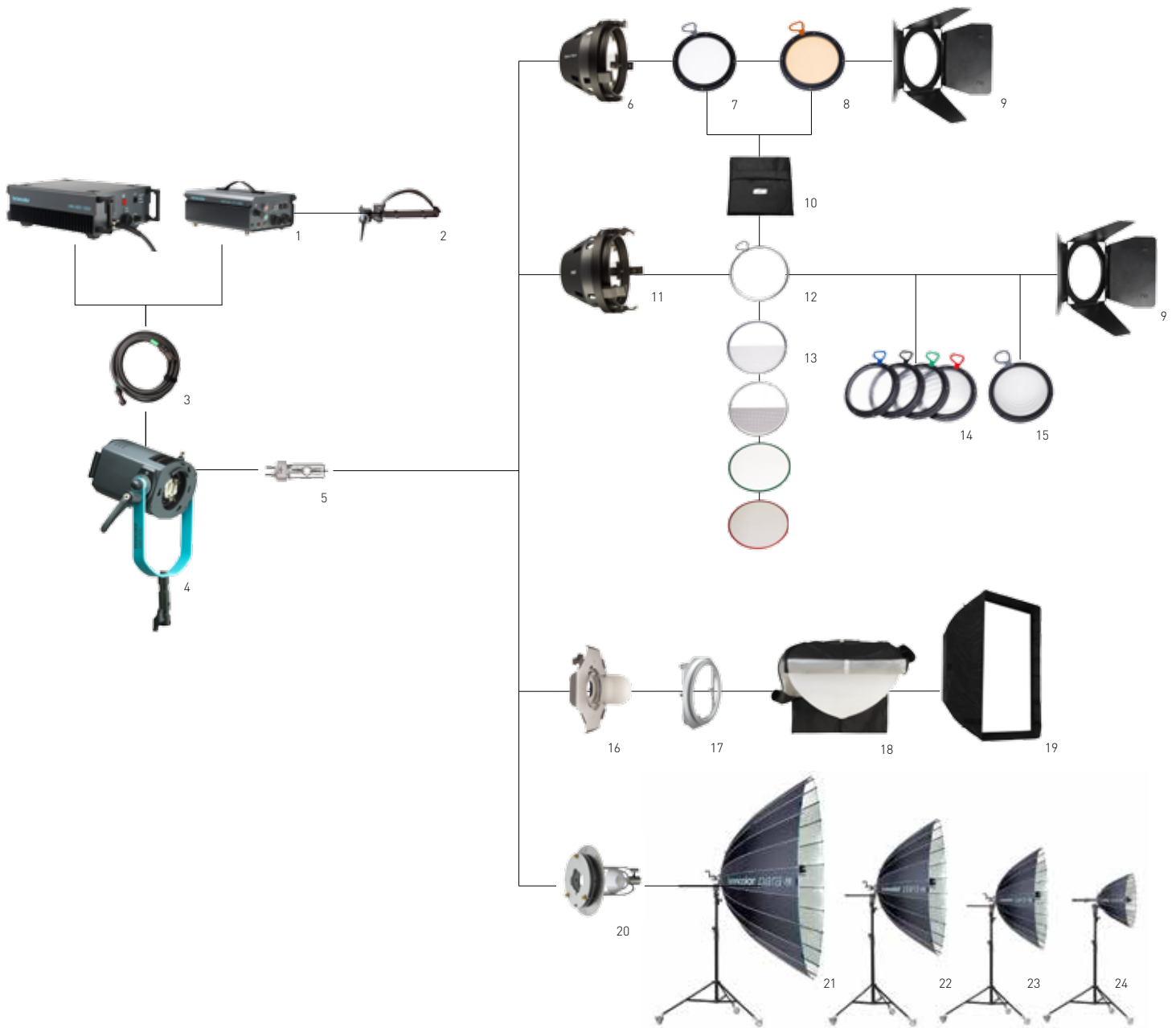
13	Barn door with 4 leaves for PAR and P70 reflectors	33.247.00
14	Barn door with 2 leaves for PAR and P70 reflectors	33.227.00
15	Barn door with 4 leaves for P65, P45, PAR	33.246.00

16	Barn door with 2 leaves for P-Travel reflector	33.243.00
17	Softlight reflector P	33.110.00
18	Mini-Satellite reflector	33.152.00

Lots of light in wind and weather

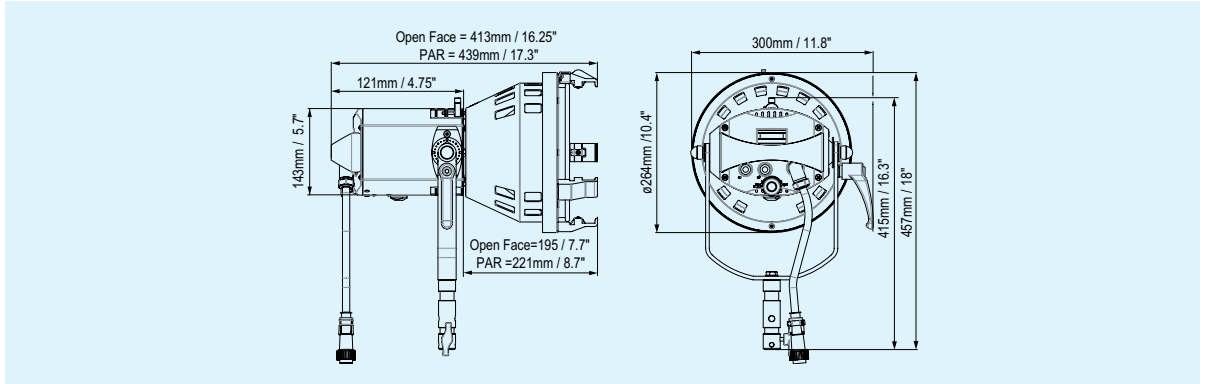
Whether in studio or on location the HMI F800 continuous light lamp is the optimal choice when versatility and a high light output are needed. The unique bayonet system allows the use of numerous reflectors with which you can master every task professionally. With the choice of Open Face reflector or PAR reflector with a range of lenses, a Fresnel lens, a Softbox or a Para, light can be formed to meet any requirement from a soft area light to a hard point source. The lamp complies with protection class IP 54, so it can be used outdoors in any weather without any additional protection.





1 HMI 800.1600 ballast unit or HMI 400.575.800 ballast unit	41.104.XX 41.102.XX	9 4-leaf barn door for Open Face and PAR reflector	43.141.00	17 Speed Ring Ø 230 mm (9")	43.193.00
2 Stand holder	35.118.00	10 Bag for 1 filter/lens	43.137.00	18 Pancake Lantern M, Ø 89 × 43 (cm), with skirt, Chimera	43.452.00
3 Lamp extension cable 7.5 m (24.6 ft)	44.202.00	11 PAR reflector	43.170.00	19 Softbox "Video Pro M", 90 × 120 (cm), Chim.	43.447.00
Lamp extension cable 10 m (32.8 ft)	44.203.00	12 Scrim Ring zu PAR Reflektor	43.175.00	Softbox "Video Pro S", 60 × 80 (cm), Chim.	43.446.00
Lamp extension cable 20 m (65.6 ft)	44.204.00	13 Scrim simple-half	43.176.00	20 Para adapter	33.489.07
4 HMI F800 lamphead	42.107.00	Scrim double-half	43.177.00	21 Para 222 Kit without adapter	33.552.03
5 Bulb 800 W BA 800/UVC/SE/HR	44.104.00	Scrim single-full	43.178.00	22 Para 177 Kit without adapter	33.551.03
Bulb 800 W CSR 800/UVC/SE/HR	44.110.00	Scrim double-full	43.179.00	23 Para 133 HR Kit without adapter	33.550.06
6 Open Face reflector	43.160.00	14 Set of PAR lenses (4 pieces)	43.144.00	24 Para 88 HR Kit without adapter	33.483.06
7 Diffusion filter for Open Face reflector	43.142.00	15 Fresnel lens for PAR reflector	43.149.00		
8 Conversion filter 3200 K for Open Face reflector	43.143.00	16 Softbox adapter for Ø 230 (mm) (9") Speed Rings	43.159.00		

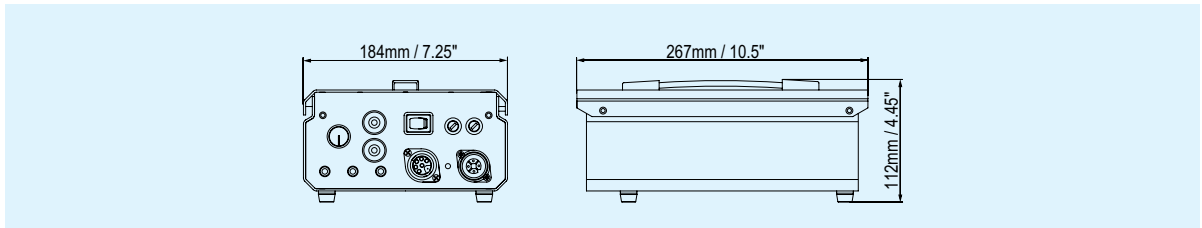
HMI F800 Lamphead



	HMI F800 lamphead 42.107.00
Lamp output	800 W
Focusing function	Yes
Protection degree	IP 54 (weatherproof with Open Face and PAR reflector)
Connection to broncolor Para	With Para adapter 33.489.07
Cable length	0.6 m (23.6")
Dimensions (L x B x H)	12.1 x 30 x 41.5 cm (4.8" x 11.8" x 16.3")
Weight without reflector	3.9 kg (8.6 lbs)
Accessories	Lamp extension cable 7.5 m (24.6 ft) 44.202.00 Lamp extension cable 10 m (32.8 ft) 44.203.00 Lamp extension cable 20 m (65.6 ft) 44.204.00 Bulb 800 W BA 800/UVC/SE/HR 44.104.00 Bulb 800 W CSR 800/UVC/SE/HR 44.110.00



HMI 400.575.800 Ballast unit

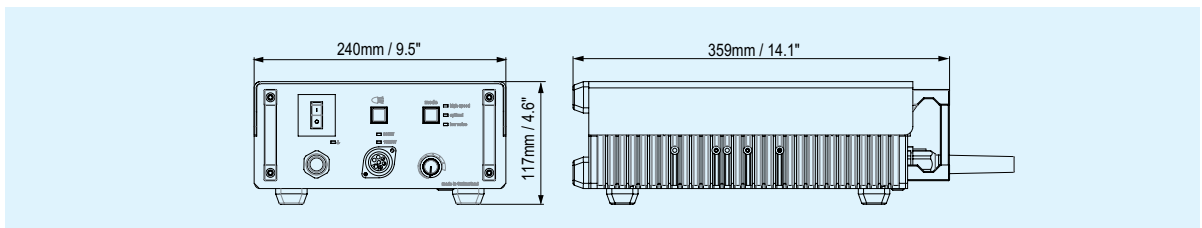


	HMI 400.575.800 ballast unit 41.102.XX
Power output	400 / 575 / 800 W
Compatible with lamphead	HMI F400, HMI F575.800, HMI F800
Dimmer	100%-60%
Flicker-free operation and thermo protection	Yes
Protection degree	IP 43 (spritzwassergeschützt)
Automatic adaptation to mains voltage	90 V - 265 V
Dimensions (L x B x H)	26.7 x 18.4 x 11.2 cm (10.5" x 7.2" x 4.4")
Weight	3.3 kg (7.3 lbs)
Accessories	Stand holder 35.118.00

The HMI 400.575.800 ballast unit is equipped with an automatic voltage detection circuit rated for 90 V to 265 V 50/60 Hz; it is protected against water splashes (IP 43) and flicker-

free. Even at very high ambient temperatures, the patented temperature control system ensures safe and reliable operation.

HMI 800.1600 Ballast unit



	HMI 800.1600 ballast unit 41.104.XX
Power output	800 / 1600 W
Compatible with lamphead	HMI F800, HMI F1600
Dimmer	100%-50%
Flicker-free operation and thermo protection	Yes
Automatic adaptation to mains voltage	90 V - 265 V
Dimensions (L x B x H)	36 x 24 x 12 cm (14.2" x 9.4" x 4.7")
Weight	6.9 kg (15.2 lbs)

The dimmable ballast unit (100%-50%) for HMI F800, FT800 and HMI F1600, FT1600 lamps is equipped with an automatic voltage detection circuit rated for 90 V to 265 V 50/60 Hz; it can therefore be operated from a domestic power socket outlet anywhere in the world. The unit offers three different operating modes: "Low Noise" for recording

situations with original sound, "Standard" for normal requirements when filming at up to 1000 frames per second, and "High Speed" for filming at up to 2000 frames per second. Even at very high ambient temperatures, the patented temperature control system ensures safe and reliable operation.

Open Face reflector



Structured reflector with uniform, rotationally symmetric illumination, direct mounting of conversion and diffusion filters, a screen ring or 4-leaf barn door. The HMI F800 lamphead equipped with the Open Face reflector features ingress protection to IP 54.

Open Face reflector | 43.160.00

195 × Ø 264 (mm) (7.7" × Ø 10.4")

1.85 kg (4.1 lbs)

PHOTOMETRICS Open Face reflector 800 W



Distance	f-stop	Spot 12°	f-stop	Flood 70°
3 m	16 ² / ₅	56200 Lux / 5221 fc	4 ¹ / ₂	4000 Lux / 1372 fc
5 m	11	20200 Lux / 1877 fc	2.8 ¹ / ₄	1430 Lux / 133 fc
10 m	5.6	5060 Lux / 130 fc	1	360 Lux / 33 fc
15 m	2.8 ³ / ₅	2250 Lux / 133 fc	1	160 Lux 15 fc

Accessories

Diffusion filter

for Open Face reflector
43.142.00



Conversion filter 3200 K

for Open Face reflector
43.143.00



4-leaf barn door

for Open Face and PAR reflector
43.141.00



PAR reflector



High light output, narrow light angle, for direct or bounce lighting off ceilings, walls, sails, etc. or, in conjunction with a PAR or Fresnel lens, for different light characteristics and forms. The HMI F800 lamphead equipped with the PAR reflector features ingress protection to IP 54.

PAR reflector | 43.170.00

221 × Ø 264 (mm) [8.7" × Ø 10.4"]
2.1 kg [4.6 lbs]

Accessories

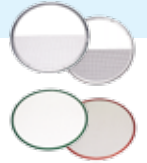
Set of PAR lenses (4 pieces) | 43.144.00

available as (a) set or (a) sole unit
43.145.00 PAR lens NSP
43.146.00 PAR lens MFL
43.147.00 PAR lens WFL
43.148.00 PAR lens VWFL



Scrims for PAR reflector

43.176.00 scrim single-half
43.177.00 scrim double-half
43.178.00 scrim single-full
43.179.00 scrim double-full



Scrim Ring for PAR reflector

43.175.00



4-leaf barn door

for Open Face and PAR reflector
43.141.00



PHOTOMETRICS PAR reflector 800 W without lens



Distance	f-stop	Spot 5°
3 m	45	320000 Lux / 29729 fc
5 m	16 1/2	115000 Lux / 10684 fc
10 m	11 1/3	28880 Lux / 2676 fc
15 m	8 1/5	12800 Lux / 1189 fc

PHOTOMETRICS PAR reflector 800 W with NSP lens



Distance	f-stop	Spot 9°
3 m	22 1/2	135100 Lux / 12551 fc
5 m	4 4/5	68640 Lux / 4519 fc
10 m	8 1/5	12160 Lux / 1130 fc
15 m	5.6 1/5	5400 Lux / 502 fc

PHOTOMETRICS PAR reflector 800 W with MFL lens



Distance	f-stop	Spot 21 × 60°
3 m	8 1/5	12000 Lux / 1115 fc
5 m	4 2/3	4320 Lux / 401 fc
10 m	2 3/4	1080 Lux / 100 fc
15 m	1.4 1/3	480 Lux / 44 fc

PHOTOMETRICS PAR reflector 800 W with WFL lens



Distance	f-stop	Spot 14 × 24°
3 m	16 1/5	50500 Lux / 4692 fc
5 m	8 4/5	18180 Lux / 1689 fc
10 m	4 4/5	4540 Lux / 422 fc
15 m	2.8 4/5	2020 Lux / 188 fc

PHOTOMETRICS PAR reflector 800 W with VWFL lens



Distance	f-stop	Spot 66°
3 m	4 4/5	4590 Lux / 426 fc
5 m	2.8 1/2	1650 Lux / 153 fc
10 m	1.4 1/5	413 Lux / 38 fc
15 m	1 1/5	183 Lux / 17 fc

Fresnel lens for PAR reflector



In conjunction with the PAR reflector and the Fresnel lens the lamp becomes a fully-fledged Fresnel lamp with light angle adjustment for directed or diffuse light.

Fresnel lens for PAR reflector | 43.149.00

35 × Ø 238 (mm) [1.4" × 9.4"]

0.6 kg (1.3 lbs)

PHOTOMETRICS PAR reflector 800 W with Fresnel lens



Distance	f-stop	Spot 44°	f-stop	Flood 71°
3 m	4 ⁴ / ₅	4550 Lux / 423 fc	2.8 ⁴ / ₅	2420 Lux / 225 fc
5 m	2.8 ¹ / ₂	1640 Lux / 152 fc	2 ¹ / ₃	870 Lux / 81 fc
10 m	1.4 ¹ / ₃	410 Lux / 38 fc	1 ¹ / ₂	220 Lux / 20 fc
15 m	1 ¹ / ₅	182 Lux / 17 fc	0.7 ¹ / ₅	100 Lux / 19 fc

Accessories

Bag

for 1 filter / lens
43.137.00



Softbox adapter for HMI F800



The Softbox adapter and a Speed Ring* can be used to attach a Softbox or lantern. The entire light output of the Softbox is collected. This generates a soft, even light.

*The Speed Ring can also be mounted directly on the Open Face or PAR reflector

Softbox adapter for HMI F800 | 43.159.00

for Ø 230 (mm) [9"] Speed Rings

Accessories

Speed Ring

Ø 230 (mm) [9"]
43.193.00



Pancake Lantern M, Chimera

Ø 89 × 43 (cm) [35" × 16.9"], with skirt
43.452.00



Softboxes Video Pro, Chimera

43.447.00 Video Pro M, 90 × 120 cm [35.4" × 47.2"]

43.446.00 Video Pro S, 60 × 80 cm [23.6" × 31.5"]



HMI 800 Open Face Kit

The HMI 800 Open Face Kit consists of the HMI F800 lamphead with a focusable daylight bulb and the HMI 400.575.800 ballast unit. The ballast unit is 100-60% dimmable and flicker-free. The HMI F800 lamphead features the unique broncolor bayonet system and guarantees seamless mounting of the optional reflectors. The Open Face reflector included in the Kit creates homogenous and evenly focused light.

HMI 800 Open Face Kit | 41.130.XX

HMI F800 lamphead incl. bulb, HMI 400.575.800 ballast unit, Open Face reflector, 4-leaf barn door, diffusion filter, conversion filter (3200 K), lamp extension cable 7.5 m (24.6 ft), trolley transport case
Total 21 kg (46.3 lbs)



HMI 800 PAR Kit

The HMI 800 PAR Kit consists of the HMI F800 lamphead with a focusable daylight bulb and the HMI 400.575.800 ballast unit. The ballast unit is 100-60% dimmable and flicker-free. The HMI F800 lamphead features the unique broncolor bayonet system and guarantees seamless mounting of the optional reflectors. The PAR reflector includes 4 PAR lenses for optimum control of yield and light forming.

HMI 800 PAR Kit | 41.131.XX

HMI F800 lamphead incl. bulb, HMI 400.575.800 ballast unit, PAR reflector with 4 lenses, 4-leaf barn door, lamp extension cable 7.5 m (24.6 ft), transport case
Total 21 kg (46.3 lbs)

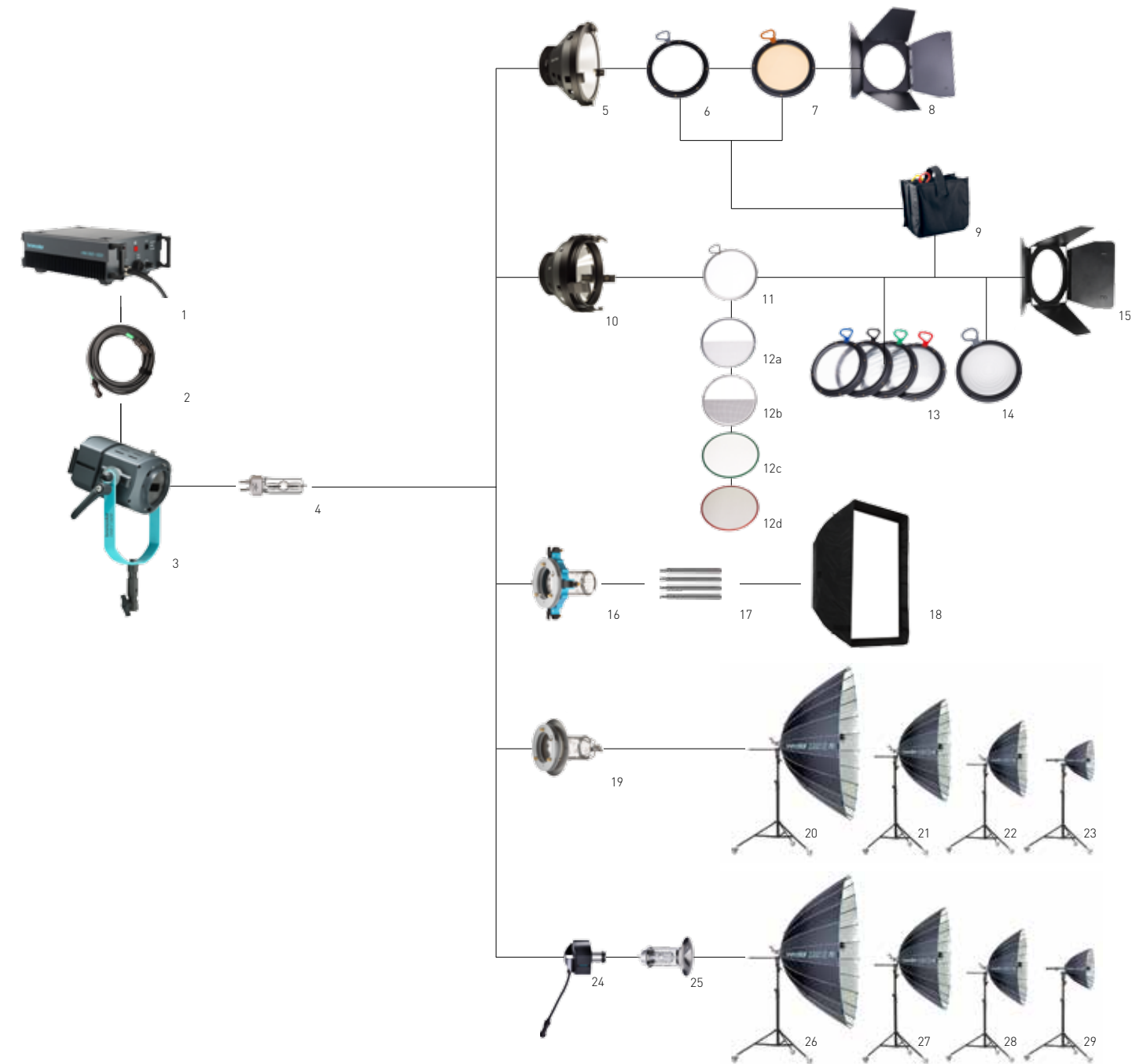


A lot of power from each mains socket

The versatile HMI F1600 daylight lamp is the best choice for high power/output, formability and colour requirements, for photography or video. The unique bayonet system allows the use of numerous reflectors with which you can master every task professionally.

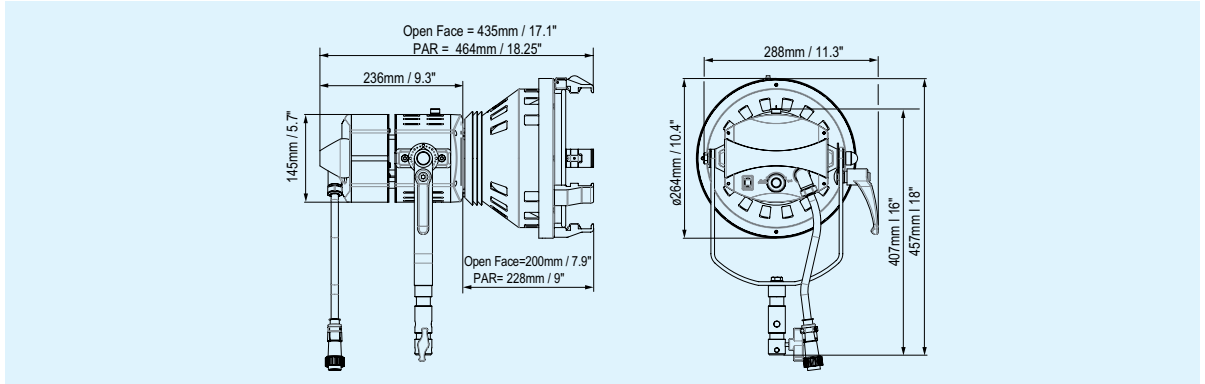
With the choice of Open Face reflector or PAR reflector, a Softbox or a Para, light can be formed to meet any requirement from a soft area light to a hard point source.





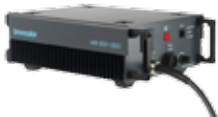
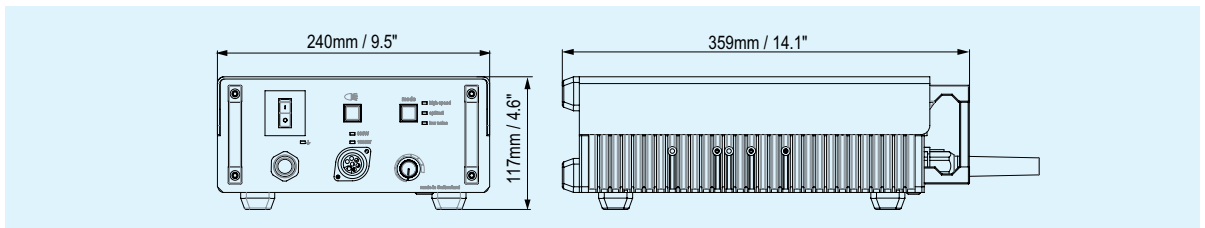
1 HMI 800.1600 ballast unit	41.104.XX	11 Scrim Ring for PAR reflector	43.175.00	20 Para 222 Kit without adapter	33.552.03
2 Lamp extension cable 7.5 m (25 ft)	44.202.00	12a Scrim single-half	43.176.00	21 Para 177 Kit without adapter	33.551.03
3 HMI F1600 lamphead	42.108.00	12b Scrim double-half	43.177.00	22 Para 133 HR Kit without adapter	33.550.06
4 Bulb 1600 W CSR 1600/UVC/SE/HR	44.107.00	12c Scrim single-full	43.178.00	23 Para 88 HR Kit without adapter	33.483.06
Bulb 1600 W BA 1600/UVC/SE/HR	44.108.00	12d Scrim double-full	43.179.00	24 HMI FT800.1600 lamphead	42.110.00
Bulb 1600 W DIS 1600/UVC/SE/HR	44.109.00	13 Set of PAR lenses (4 pieces)	43.144.00	25 HMI FT1600 lamp device with bulb and counter-reflector	42.111.00
5 Open Face reflector	43.150.00	14 Fresnel lens for PAR reflector	43.149.00	26 Para 222 FT Kit	41.178.00
6 Diffusion filter for Open Face reflector	43.152.00	15 4-leaf barn door for PAR reflector	43.141.00	27 Para 177 FT Kit	41.177.00
7 Conversion filter 3200 K for Open Face reflector	43.153.00	16 Softbox adapter for Ø 230 (mm) [9"] Speed Rings	43.155.00	28 Para 133 FT Kit	41.175.00
8 4-leaf barn door for Open Face reflector	43.151.00	17 Chimera adapter bars #4099		29 Para 88 FT Kit	41.173.00
9 Bag for 5 filters/lenses	43.138.00	18 Chimera Quartz Banks			
10 PAR reflector	43.140.00	19 Para adapter	43.156.00		

HMI F1600 Lamphead



	HMI F1600 lamphead 42.108.00
Lamp output	1600 W
Focusing function	Yes
Connection to broncolor Para	With Para adapter 33.489.00
Cable length	0.5 m (19.7")
Dimensions (L x B x H)	23.6 x 28.8 x 40.7 cm (9.3" x 11.3" x 16.0")
Weight without reflector	4.3 kg (9.5 lbs)
Accessories	Lamp extension cable 7.5 m (24.6 ft) 44.202.00 Lamp extension cable 10 m (32.8 ft) 44.203.00 Lamp extension cable 20 m (65.6 ft) 44.204.00 Lamp 1600 W CSR 1600/UVC/SE/HR 44.107.00 Lamp 1600 W BA 1600/UVC/SE/HR 44.108.00 Lamp 1600 W DIS 1600/UVC/SE/HR 44.109.00

HMI 800.1600 Ballast unit



	HMI 800.1600 ballast unit 41.104.XX
Power output	800 / 1600 W
Compatible with lamphead	HMI F800, HMI F1600
Dimmer	100%-50%
Flicker-free operation and thermo protection	Yes
Automatic adaptation to mains voltage	90 V - 265 V
Dimensions (L x B x H)	36 x 24 x 12 cm (14.2" x 9.4" x 4.7")
Weight	6.9 kg (15.2 lbs)

The dimmable ballast unit (100%-50%) for HMI F800, FT800 and HMI F1600, FT1600 lamps is equipped with an automatic voltage detection circuit rated for 90 V to 265 V 50/60 Hz; it can therefore be operated from a domestic power socket outlet anywhere in the world. The unit offers three different operating modes: "Low Noise" for recording

situations with original sound, "Standard" for normal requirements when filming at up to 1000 frames per second, and "High Speed" for filming at up to 2000 frames per second. Even at very high ambient temperatures, the patented temperature control system ensures safe and reliable operation.

Open Face reflector



Structured reflector with uniform, rotationally symmetric illumination, direct mounting of conversion and diffusion filters.

Open Face reflector | 43.150.00
200 × Ø 264 (mm) [7.9" × Ø 10.4"]
2.5 kg [5,5 lbs]

PHOTOMETRICS Open Face reflector 1600 W



Distance	f-stop	Spot 20°	f-stop	Flood 58°
3 m	16 ¹ / ₃	47586	8	10547
5 m	8 ² / ₃	17130	4 ¹ / ₂	3796
10 m	4 ³ / ₅	4292	2 ¹ / ₂	949
15 m	2.8 ¹ / ₂	1903	1.4 ¹ / ₃	422

Accessories

Diffusion filter

for Open Face reflector
43.152.00



Conversion filter 3200 K

for Open Face reflector
43.153.00



4-leaf barn door

for Open Face reflector
43.151.00



PAR reflector



High light output, narrow light angle, for direct or bounce lighting off ceilings, walls, sails, etc. or, in conjunction with a PAR or Fresnel lens, for different light characteristics and forms.

PAR reflector | 43.140.00
228 × Ø 264 (mm) (9.0" × Ø 10.4")
2.3 kg (5.1 lbs)

PHOTOMETRICS PAR reflector 1600 W without lens



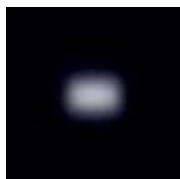
Distance	f-stop	Spot 7°
3 m	32 ⁴ / ₅	300197
5 m	22 ¹ / ₃	108070
10 m	11 ¹ / ₃	27017
15 m	8 ¹ / ₅	12008

PHOTOMETRICS PAR reflector 1600 W with NSP lens



Distance	f-stop	Spot 14°
3 m	22	82725
5 m	11 ¹ / ₂	29781
10 m	5.6 ¹ / ₂	7445
15 m	4 ¹ / ₂	3309

PHOTOMETRICS PAR reflector 1600 W with MFL lens



Distance	f-stop	Spot 12 × 34°
3 m	16 ¹ / ₅	48871
5 m	8 ² / ₃	17503
10 m	4 ⁵ / ₇	4398
15 m	2.6 ¹ / ₂	1939

PHOTOMETRICS PAR reflector 1600 W with WFL lens



Distance	f-stop	Spot 20 × 52°
3 m	11 ¹ / ₅	24719
5 m	5.6 ⁷ / ₁₀	8898
10 m	2.8 ⁷ / ₁₀	2224
15 m	2 ¹ / ₂	989

PHOTOMETRICS PAR reflector 1600 W with VWFL lens



Distance	f-stop	Spot 55°
3 m	8	10742
5 m	4 ¹ / ₂	3867
10 m	2 ¹ / ₂	966
15 m	1.4 ¹ / ₂	430

Accessories

Set of PAR lenses (4 pieces) | 43.144.00

available as (a) set or (a) sole unit

43.145.00 PAR lens NSP
43.146.00 PAR lens MFL
43.147.00 PAR lens WFL
43.148.00 PAR lens VWFL



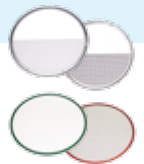
Scrim Ring for PAR reflector

43.175.00



Scrim for PAR reflector

43.176.00 scrim single-half
43.177.00 scrim double-half
43.178.00 scrim single-full
43.179.00 scrim double-full



4-leaf barn door

for PAR reflector
43.141.00



Fresnel lens for PAR reflector



In conjunction with the PAR reflector and the Fresnel lens the lamp becomes a fully-fledged Fresnel lamp with light angle adjustment for directed or diffuse light.

Fresnel lens for PAR reflector | 43.149.00

35 × Ø 238 (mm) (1.4" × 9.4")

0.6 kg (1.3 lbs)

PHOTOMETRICS PAR reflector 1600 W with Fresnel lens



Distance	f-stop	Spot 36°	f-stop	Flood 60°
3 m	8	9737	5.6 ² / ₃	4795
5 m	4 ¹ / ₂	3505	2.8 ¹ / ₂	1726
10 m	2 ¹ / ₂	876	1.4 ¹ / ₂	432
15 m	1.4 ¹ / ₄	390	1 ¹ / ₃	192

Accessories

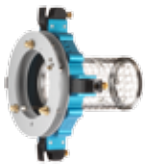
Bag

for 5 filters/lenses

43.138.00



Softbox adapter for HMI F1600



The Softbox adapter and a Speed Ring* can be used to attach a Softbox or lantern. The entire light output of the Softbox is collected. This generates a soft, even light.

*The Speed Ring can also be mounted directly on the Open Face or PAR reflector

Softbox adapter for HMI F1600 | 43.155.00

for Ø 230 (mm) (9") Speed Rings

1.2 kg



HMI 1600 Open Face Kit

The HMI 1600 Open Face Kit consists of the HMI F1600 lamphead with a focusable daylight bulb and the HMI 800.1600 ballast unit. The ballast unit is 100-50% dimmable and flicker-free.

HMI 1600 Open Face Kit | 41.120.XX

HMI F1600 lamphead incl. bulb, HMI 800.1600 ballast unit, Open Face reflector, 4-leaf barn door, diffusion filter, conversion filter (3200 K), lamp extension cable 7.5 m (24.6 ft), bag for 5 filters / lenses, transport case
Total 34 kg (75 lbs)



HMI 1600 PAR Kit

The HMI 1600 PAR Kit consists of the HMI F1600 lamphead with a focusable daylight bulb and the HMI 800.1600 ballast unit. The ballast unit is 100-50% dimmable and flicker-free. The PAR reflector includes 4 PAR lenses for optimum control of yield and light forming.

HMI 1600 PAR Kit | 41.121.XX

HMI F1600 lamphead incl. bulb, HMI 800.1600 ballast unit, PAR reflector with set of PAR lenses (4 pieces), 4-leaf barn door, Scrim ring, lamp extension cable 7.5 m (24.6 ft), bag for 5 filters / lenses, transport case
Total 34 kg (75 lbs)



HMI 1600 Kit with Para adapter

The HMI 1600 Kit with Para adapter consists of the HMI F1600 lamphead with a focusable daylight bulb and the HMI 800.1600 ballast unit. The ballast unit is 100-50% dimmable and flicker-free. Naturally, when you buy a Para, the adapter for mounting the lamp is included.

HMI 1600 Kit with Para adapter | 41.122.XX
HMI F1600 lamphead incl. bulb, HMI 800.1600 ballast unit, Para adapter, lamp extension cable 7.5 m (24.6 ft), transport case
Total 21 kg (46.3 lbs)



📷 🇨🇭 Damien Kristl, Switzerland





The Para System

Light shapers with emphasis

The extraordinary Para

There is no other light that gives bodies, faces and products as much volume and plasticity. Broncolor Paras are the light system with the most variants. Whether as a powerful spot, a soft light cloud, with diffusers or honeycomb grids, for continuous lighting or flash operation - you achieve precisely the light you want. Always. Everywhere.

Focusing and defocusing

The most important light design parameter with Para is the ability to focus the lamp, or to position the lamphead within the reflector. When in focus, the light source is exactly at the focus of the parabola. In this state the light is strongly aligned and has a spot-like character with high contrast, because little of the light is scattered in the studio to relieve shadows. But because of the large diameter of a Para, the light is never too hard. To defocus a Para, the light source is moved towards the opening of the reflector. In this way you no longer have a single, large spot, but rather 24 small, hard lights in a soft arrangement, producing a fabulously beautiful cloud of light, which envelopes and gently illuminates everything, but still emphasises the structure of objects (skin, for example).

Three-dimensional with gloss effect

Because the light radiates frontally from the optical axis, every object has an extremely plastic, three-dimensional appearance. It is especially this point that differentiates Paras from other large-reflector lamps with structured reflector material; the effect of their light is far more uniform and drab.

The four big sizes

There are four sizes of Para, Para 88 HR, Para 133 HR, Para 177 and Para 222. The apex zone of Paras 88 HR and 133 HR is made of a special heat-resistant material. This enables continuous lighting at up to a maximum of 2000 W output for all Paras.

For more light design options

Spot effects can be made even more intensive by mounting a textile honeycomb grid. With one of three diffusers you can scatter the light to differing degrees. This moderates the dominance of sheen and makes for a finer light, but still "typically Para".



















Para or Para FT – for quick changes

With four clamping levers (Para 88 HR and 133 HR) or a crank (Para 177 and 222) you can first set up the reflector on its own. Then fit the appropriate focusing rod to your Para. There are two different systems for this: Para and Para FT.

With the Para system and the appropriate adapter, any HMI broncolor lamp can be mounted using focusing rod F. In addition adapters are available for broncolor flash lights and for various lamps from other suppliers.

With the Para FT system, an HMI bulb unit with counter reflector is fitted to the front end of the appropriate FT focusing rod. The lamphead with a ballast unit attached is mounted at the rear end of the focusing rod. Halogen lights can also be used with the FT system. For this a halogen bulb unit is simply fitted to the front end of the FT focusing rod. The lamphead is then connected directly to the mains power supply without a ballast unit.

With the FT System and the FT focusing rod, only an HMI FT800/1600 or a Tungsten 2000 (230 V) / 1000 (120 V) lamp unit with counter-reflector can be used. In contrast to HMI lamps, which can also be used as independent lights, the FT System can only be used with a Para. Quick and uncomplicated - the FT System can be set up in just a few minutes.

	<p>Focusing device for Para 88/133 33.504.00</p>		<p>Para 88 HR</p>		<p>Focusing tube FT88 33.713.00</p> <p>Focusing tube F88 33.703.00</p>			
	<p>Tilt head 33.505.00</p>	<p>or</p>		<p>Tilt head with crank handle 33.447.00</p>				
	<p>Focusing device for 88/133 33.504.00</p>		<p>Para 133 HR</p>		<p>Focusing tube FT133 33.715.00</p> <p>Focusing tube F133 33.705.00</p>			
	<p>Tilt head 33.505.00</p>	<p>or</p>		<p>Tilt head with crank handle 33.447.00</p>				
	<p>Tilt head 33.505.00</p>	<p>or</p>		<p>Tilt head with crank handle 33.447.00</p>		<p>Para 177</p>		<p>Focusing tube FT177 33.717.00</p> <p>Focusing tube F177 33.707.00</p>
	<p>Tilt head 33.505.00</p>	<p>or</p>		<p>Tilt head with crank handle 33.447.00</p>		<p>Para 222</p>		<p>Focusing tube FT222 33.718.00</p> <p>Focusing tube F222 33.708.00</p>



HMI 800.1600
41.104.XX



HMI FT800.1600 Lamphead
42.110.00



Tungsten FT2000/1000 Lamphead
42.112.00



HMI FT800 / FT1600 Lamp device
with lamp and counter-reflector
42.109.00 / 42.111.00



Tungsten FT2000 (230 V) / FT1000 (120 V)
Lamp device with lamp and
counter-reflector
42.113.00 / 42.115.00



Para adapter
for broncolor bayonet and HMI F575.800
33.489.00



Para adapter for HMI F200 / F400
33.489.01



Para adapter for K5600 Joker lamp devices
33.489.08



Para adapter for Profoto lamp devices
33.489.03



Para adapter for Ringflash P
33.489.04



Para adapter for non-broncolor lamp devices
33.489.06



Para adapter for HMI F800
33.489.07



Para adapter for HMI F1600
43.156.00



Light grid 40° for

Para 88
33.221.00
Para 133
33.232.00
Para 177
33.230.00
Para 222
33.231.00



Diffuser no. 1 (-1/2 f-stop)

Para 88
33.472.00
Para 133
33.293.00
Para 177
33.287.00
Para 222
33.290.00

Diffuser no. 2 (-1 f-stop)

Para 88
33.473.00
Para 133
33.294.00
Para 177
33.288.00
Para 222
33.291.00

Diffuser no. 3 (-1 1/2 f-stops)

Para 88
33.474.00
Para 133
33.295.00
Para 177
33.289.00
Para 222
33.292.00

Attention: Para 88 without HR has a capacity up to 650 W. Para 133 without HR has a capacity up to 800 W. Note: Para 88 HR, 133 HR, 177, 222 have a capacity up to 2000 W.

Do you have a focusing tube F for a non HR Para 88 or Para 133? In this case you need to replace the focusing tube as well as the focusing device, if you want to use a HR Para.

Powerful, flexible and easy to operate



The FT System

The Para FT System offers a choice of 800 Watt or 1600 Watt HMI bulbs, or halogen lamps with 1000 Watt or 2000 Watt.

A complete system consists of a Para (88, 133, 177, 222) FT Kit and one of the four basic kits with the chosen light source (HMI FT800, HMI FT1600, Tungsten FT2000 (230 V) or Tungsten 1000 (120 V)).

Para 88, 133, 177, 222 FT Kit

A Para FT Kit contains one Para light shaper including focusing device, focusing rod, tilt head, safety cable and a transport bag.



HMI FT800 or FT1600 Kit

The HMI Basic Kit contains one HMI lamp-head, an 800 Watt or 1600 Watt lamp device unit with counter-reflector, the powerful HMI 800.1600 ballast unit a lamp extension cable and a transport case.



Tungsten FT2000 or FT1000 Kit

The Tungsten Basic Kit contains one Tungsten lamphead and a 2000 Watt or 1000 Watt bulb unit with counter-reflector.



HMI FT800 Kit and FT1600 Kit



HMI FT800 Kit | 42.119.XX

HMI FT1600 Kit | 42.118.XX

Power output	800 W or 1600 W
Dimensions (L × B × H)	90 × 30 × 24 (cm) (35.4" × 11.8" × 9.4")
Weight	20 kg (44 lbs)
Scope of delivery	HMI FT800.1600 lamphead, HMI FT800 or HMI FT1600 lamp device with bulb and counter-reflector, lamp cable 7.5 m (24.6 ft), transport case



HMI FT800.1600 Lamphead



HMI FT800.1600 lamphead

Switchable (800/1600W) HMI lamphead with integral quick-locking system for mounting on the focusing tube. The focusing distance can be easily changed with the ergonomic handle.

HMI FT800.1600 lamphead | 42.110.00

Dimensions: 17 × 14.5 × 15 cm (6.7" × 5.7" × 5.9")

Weight: 1.4 kg (3.1 lbs)

Cable length: 50 cm (19.7")

Lamp extension cable 7.5 m (24.6 ft) | 44.202.00

Lamp extension cable 10 m (32.8 ft) | 44.203.00

Lamp extension cable 20 m (65.6 ft) | 44.204.00

HMI FT Lamp device



HMI FT800 or FT1600 lamp device

Compact device for mounting on the focusing tube. It consists of an integral holder, a safety glass, safety grid, bulb and a screw-mounting counter-reflector.

HMI FT800 lamp device | 42.113.00

HMI FT1600 lamp device | 42.115.00

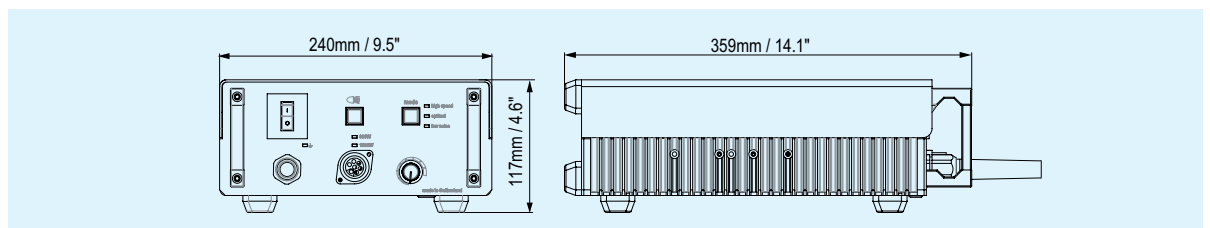
with lamp and counter-reflector

Dimensions: Ø 9.5 × 21 (cm) (Ø 3.7" × 8.3")

Dimensions counter-reflector: Ø 18 cm (7.1")

Weight: 0.6 kg (1.3 lbs)

HMI 800.1600 Ballast unit



HMI 800.1600 ballast unit | 41.104.XX

Power output

800 / 1600 W

Compatible with lamphead

HMI F800, HMI F1600

Dimmer

100%-50%

Flicker-free operation and thermo protection

Yes

Automatic adaptation to mains voltage

90 V - 265 V

Dimensions (L × B × H)

36 × 24 × 12 cm (14.2" × 9.4" × 4.7")

Weight

6.9 kg (15.2 lbs)

The dimmable ballast unit (100%-50%) for HMI F800, FT800 and HMI F1600, FT1600 lamps is equipped with an automatic voltage detection circuit rated for 90 V to 265 V 50/60 Hz; it can therefore be operated from a domestic power socket outlet anywhere in the world. The unit offers three different operating modes: "Low Noise" for recording

situations with original sound, "Standard" for normal requirements when filming at up to 1000 frames per second, and "High Speed" for filming at up to 2000 frames per second. Even at very high ambient temperatures, the patented temperature control system ensures safe and reliable operation.



Tungsten FT2000 Kit (230 V) and FT1000 Kit (120 V)



Tungsten FT2000 Kit 230 V | 42.124.XX

Tungsten FT1000 Kit 120 V | 42.125.XX

Power output

2000 W (230 V) / 1000 W (120 V)

Dimensions (L x B x H)

90 x 30 x 24 cm (35.4" x 11.8" x 9.4")

Weight

12 kg (26.5 lbs)

Scope of delivery

Tungsten FT lamphead, Tungsten FT2000 (230 V) or Tungsten FT1000 (120 V) lamp device with bulb and counter-reflector, mains cable, transport case

📷 Robert Wittmer, Switzerland - WittmerArt "Filmmaker&Producer"



Tungsten FT Lamphead



Tungsten FT lamphead

Lamphead with integral quick-locking system for mounting on the focusing tube. The focusing distance can be easily changed with the ergonomic handle.

Tungsten FT lamphead | 42.112.00

Dimensions: 17 × 14.5 × 15 cm (6.7" × 5.7" × 5.9")

Weight: 2.7 kg (6.0 lbs) (with cable 10 m (32.8 ft))

Tungsten FT Lamp device



Tungsten FT2000 or FT1000 lamp device

Compact device for mounting on the focusing tube. It consists of an integral holder, a safety glass, safety grid, bulb and a screw-mounting counter-reflector.

Tungsten FT2000 (230 V) lamp device | 42.113.00 or

Tungsten FT1000 (120 V) lamp device | 42.115.00

with lamp and counter-reflector

Dimensions: Ø 9.5 × 21 (cm) (Ø 3.7" × 8.3")

Dimensions counter-reflector: Ø 18 (cm) (7.1")

Weight: 0.6 kg (1.3 lbs)





Para 88 FT Kit | 41.173.00

Para 133 FT Kit | 41.175.00

Allowed max. power continuous light	2000 Watt	2000 Watt
Lux at 3 m (9⁸/10 ft) distance with HMI F1600	focused 9800 Lx defocused 2520 Lx	focused 23000 Lx defocused 5300 Lx
Inside coating	silver	silver
Dimensions / diameter (without stand)	open Ø 85 × 64 (cm) (Ø 33" × 25") closed Ø 20 × 83 (cm) (Ø 8" × 33")	open Ø 120 × 77 (cm) (Ø 47" × 30") closed Ø 20 × 102 (cm) (Ø 8" × 40")
Weight Para	10 kg (22.0 lbs)	11 kg (24.3 lbs)
Scope of delivery	Para 88 HR (only in the Kit) Focusing tube FT88 33.713.00 Focusing device 33.504.00 Tilt head 33.505.00 4 suspension ropes Flash Bag 2 36.532.00 Accessory Bag 36.535.00	Para 133 HR (only in the Kit) Focusing tube FT133 33.715.00 Focusing device 33.504.00 Tilt head 33.505.00 4 suspension ropes Flash Bag 2 36.532.00 Accessory Bag 36.535.00

Para 177 FT Kit | 41.177.00
with integral focusing device

Para 222 FT Kit | 41.178.00
with integral focusing device

Allowed max. power continuous light	2000 Watt	2000 Watt
Lux at 3 m (9⁸/10 ft) distance with HMI F1600	focused 11900 Lx defocused 9750 Lx	focused 22000 Lux defocused 8650 Lx
Inside coating	silver	silver
Dimensions / diameter (without stand)	open Ø 170 × 95 (cm) (Ø 67" × 37") closed Ø 40 × 95 (cm) (Ø 16" × 37")	open Ø 220 × 115 (cm) (Ø 87" × 45") closed Ø 40 × 115 (cm) (Ø 16" × 45")
Weight Para	17 kg (37.5 lbs)	18 kg (39.7 lbs)
Scope of delivery	Para 177 (only in the Kit) Focusing tube FT177 33.717.00 Tilt head 33.505.00 4 Suspension ropes Trolley bag (foldable) 36.521.00	Para 222 (only in the Kit) Focusing tube FT222 33.718.00 Tilt head 33.505.00 4 Suspension ropes Trolley bag (foldable) 36.521.00

Focusing tube FT for

- Para 88: 33.713.00
- Para 133: 33.715.00
- Para 177: 33.717.00
- Para 222: 33.718.00



Bulbs

- 44.104.00 Bulb 800 W BA 800/UVC/SE/HR (Sylvania)
- 44.110.00 Bulb 800 W CSR 800/UVC/SE/HR (G.E.)
- 44.107.00 Bulb 1600 W CSR 1600/UVC/SE/HR (Sylvania)
- 44.108.00 Bulb 1600 W BA 1600/UVC/SE/HR (Sylvania)
- 44.109.00 Bulb 1600 W DIS 1600/UVC/SE/HR (Koto)
- 34.272.00 Halogen bulb 1000 W / 120 V, G22
- 34.270.00 Halogen bulb 2000 W / 230 V, G22



**Focusing device for 88 / 133
with tilt head**

- 33.504.00 Focusing device for 88 / 133
- 33.505.00 Tilt head for Para 88-222



Tilt head with crank handle for Para 177 / 222

- 33.477.00
- recommended when using lamp devices heavier than 5 kg (11.0 lbs)



Diffuser no. 1 (-1/2 f-stop)

- Para 88: 33.472.00
- Para 133: 33.293.00
- Para 177: 33.287.00
- Para 222: 33.290.00



Diffuser no. 2 (-1 f-stop)

- Para 88: 33.473.00
- Para 133: 33.294.00
- Para 177: 33.288.00
- Para 222: 33.291.00



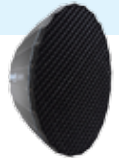
Diffuser no. 3 (-1 1/2 f-stops)

- Para 88: 33.474.00
- Para 133: 33.295.00
- Para 177: 33.289.00
- Para 222: 33.292.00



Light grid 40° for

- Para 88: 33.221.00
- Para 133: 33.232.00
- Para 177: 33.230.00
- Para 222: 33.231.00





Para 88 HR Kit without adapter | 33.483.06

Para 133 HR Kit without adapter | 33.550.06

Allowed max. power continuous light	2000 Watt	2000 Watt
Lux at 3 m (9⁸/10 ft) distance with HMI F1600	focused 9800 Lx defocused 2520 Lx	focused 24500 Lx defocused 3000 Lx
Inside coating	silver	silver
Dimensions / diameter (without stand)	open Ø 85 × 64 (cm) (Ø 33" × 25") closed Ø 20 × 83 (cm) (Ø 8" × 33")	open Ø 120 × 77 (cm) (Ø 47" × 30") closed Ø 20 × 102 (cm) (Ø 8" × 40")
Weight Para	10 kg (22.0 lbs)	11 kg (24.3 lbs)
Scope of delivery	Para 88 HR (only in the kit) Focusing tube F88 33.703.00 Focusing device 33.504.00 Tilt head 33.505.00 4 suspension ropes Safety cable 33.503.00 Flash Bag 2 36.532.00 Accessory Bag 36.535.00	Para 133 HR (only in the kit) Focusing tube F133 33.705.00 Focusing device 33.504.00 Tilt head 33.505.00 4 suspension ropes Safety cable 33.503.00 Flash Bag 2 36.532.00 Accessory Bag 36.535.00

Para 177 Kit without adapter | 33.551.03
with integral focusing device

Para 222 Kit without adapter | 33.552.03
with integral focusing device

Allowed max. power continuous light	2000 Watt	2000 Watt
Lux at 3 m (9⁸/10 ft) distance with HMI F1600	focused 11900 Lx defocused 9750 Lx	focused 22000 Lx defocused 8650 Lx
Inside coating	silver	silver
Dimensions / diameter (without stand)	open Ø 170 × 95 (cm) (Ø 67" × 37") closed Ø 40 × 95 (cm) (Ø 16" × 37")	open Ø 220 × 115 (cm) (Ø 87" × 45") closed Ø 40 × 115 (cm) (Ø 16" × 45")
Weight Para	17 kg (37.5 lbs)	18 kg (39.7 lbs)
Scope of delivery	Para 177 (only in the kit) Focusing tube F177 33.707.00 Tilt head 33.505.00 4 suspension ropes Safety cable 33.503.00 Trolley bag (foldable) 36.521.00	Para 222 (only in the kit) Focusing tube F222 33.708.00 Tilt head 33.505.00 4 suspension ropes Safety cable 33.503.00 Trolley bag (foldable) 36.521.00

Focusing tube F for

Para 88: 33.703.00
 Para 133: 33.705.00
 Para 177: 33.707.00
 Para 222: 33.708.00



Para adapter

for lamp devices with broncolor bayonet
 33.489.00



**Focusing device for Para 88 / 133
 with tilt head and safety cable**

33.700.00 Complete
 33.504.00 Focusing device for Para 88 / 133
 33.505.00 Tilt head for 88-222



Para adapter

for HMI F200 / F400
 33.489.01



Tilt head with crank handle for Para 177 / 222

33.477.00
 recommended when using lamp devices
 heavier than 5 kg (11.0 lbs)



Para adapter

for HMI F800
 33.489.07



Diffuser no. 1 (-1/2 f-stop)

Para 88: 33.472.00
 Para 133: 33.293.00
 Para 177: 33.287.00
 Para 222: 33.290.00



Para adapter

for HMI F1600
 43.156.00



Diffuser no. 2 (-1 f-stop)

Para 88: 33.473.00
 Para 133: 33.294.00
 Para 177: 33.288.00
 Para 222: 33.291.00



Para adapter

for Profoto lamp devices
 33.489.03



Diffuser no. 3 (-1 1/2 f-stops)

Para 88: 33.474.00
 Para 133: 33.295.00
 Para 177: 33.289.00
 Para 222: 33.292.00



Para adapter

for K5600 Joker lamp devices
 33.489.08



Light grid 40° for

Para 88: 33.221.00
 Para 133: 33.232.00
 Para 177: 33.230.00
 Para 222: 33.231.00



Para adapter

for Ringflash P
 33.489.04



Para adapter

for non-broncolor lamp devices
 33.489.06



Light Bag

36.518.00
 for HMI F200/F400 Crossover and Starter Kits
 Weight: 5.6 kg (12.3 lbs)
 Dimensions: 61 × 38 × 23 cm (24.0" × 15.0" × 9.1")



Bag

43.110.00
 for 5 filters / lenses for HMI F200
 Weight: 0.27 kg (0.6 lbs)



Bag

43.115.00
 for 5 filters / lenses for HMI F400
 Weight: 0.27 kg (0.6 lbs)



Bag

43.137.00
 for 1 filter / lens for HMI F800
 Weight: 0.12 kg (0.3 lbs)



Bag

43.138.00
 for 5 filters / lenses for HMI F1600
 Weight: 0.27 kg (0.6 lbs)



Accessory Bag

36.535.00
 for Para 88 HR, Para 88 FT, Para 133 HR, Para 133 FT
 Weight: 1.25 kg (2.8 lbs)
 Dimensions: 102 × 14 × 20 cm (40.2" × 5.5" × 7.9")



Flash Bag 2

36.532.00
 for Para 88 HR, Para 88 FT, Para 133 HR, Para 133 FT
 Weight: 3.7 kg (8.2 lbs)
 Dimensions: 108 × 22 × 24 cm (42.5" × 8.7" × 9.4")



Trolley transport case

46.101.00
 for HMI 1600 Kit
 Weight: 13.6 kg (30.0 lbs)
 Dimensions: 84 × 44.5 × 46 cm (33.1" × 17.5" × 18.1")



Transport case

46.102.00
 for HMI 800 Kit / HMI 1600 Kit with Para adapter
 Weight: 8.2 kg (18.1 lbs)
 Dimensions: 66 × 44 × 32.5 cm (26.0" × 17.3" × 12.8")



Transport case

36.523.00
 for Basic Kits FT System
 Weight: 8.3 kg (18.3 lbs)
 Dimensions: 89 × 31 × 24 cm (35.0" × 12.2" × 9.4")



Trolley bag (foldable)

36.521.00
 for Para 177 / 222 Kits
 Weight: 2.6 kg (5.7 lbs)
 Dimensions: 123 × 40 × 42 cm (48.4" × 15.7" × 16.5")







Bron Elektronik AG
CH-4123 Allschwil / Switzerland
www.bron.ch

D0167.03

We reserve the right to make changes due to technical developments. broncolor, kobold and bron are registered trademarks.
©2016 by Bron Elektronik AG Allschwil. All rights reserved. All images and their copyrights owned by the photographers.
Reprinting and reusing without the permission of the photographer prohibited.

 Nikolas Borissov, Bulgary